

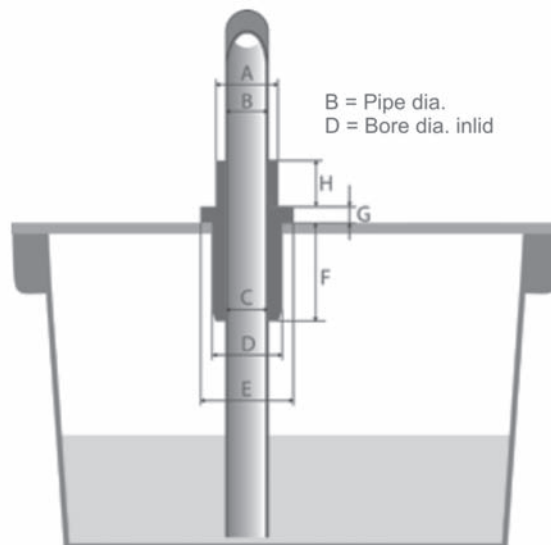


Bushings for lids that provide leak free sealing of standardised hydraulic pipes.

Advantage: Oil-tight and dust-proof sealing of the pipes.

Excellent noise reduction is achieved from the elastomer compound bushings that insulate the oil column from the lid.

Simple assembly by inserting the bushing into the bore hole of the lid and then installing the lubricated pipe into the bushing.



Technical data

- General temperature limits: a) Continuous temperature = 90 – 95 °C
- b) Intermittent maximum temperature = 110 °C

Material properties of the elastomer

Good resistance against mineral oil, petrol, propane, grease based on mineral oil, diesel, light fuel oil, vegetable and animal fat.

Conditional resistance against high octane grade fuels.

Low resistance against aromatic hydrocarbons (e.g. benzoyl), chlorinated hydrocarbons (e.g. trichloroethylene), ester and polar solvents.

Indent No.	MM / INCH	A	B	C	D	E	F	G	H
BZUB0123	8	12	8	6.4	14.0	20	25	3	12
BZUB0124	10	14	10	8.4	18.0	24	25	3	12
BZUB0125	12	16	12	10.4	18.0	24	25	4	12
BZUB0126	1/4"	17.5	1/4"	11.9	24.0	32	25	4	12
BZUB0127	15*	19	15*	13.4	24.0	32	25	4	12
BZUB0128	16	20	16	14.4	24.0	32	25	4	12
BZUB0129	18	22	18	16.4	24.0	32	25	4	12
BZUB0130	20	24	20	18.4	30.0	40	25	5	12
BZUB0131	1/2"	25	1/2"	19.4	30.0	40	25	5	12
BZUB0132	22	26	22	20.4	30.0	40	25	5	12
BZUB0133	25	29	25	23.4	35.0	45	25	5	12
BZUB0134	3/4"	30	3/4"	24.4	35.0	45	25	5	12
BZUB0135	28	32	28	26.4	35.0	45	25	5	12
BZUB0136	30	34	30	28.4	40.0	50	25	5	12
BZUB0137	1"	37	1"	31.4	40.0	50	25	5	12
BZUB0138	35	39	35	33.4	48.0	54	25	5	12
BZUB0139	38	42	38	36.4	48.0	54	25	5	12
BZUB0140	1 1/4"	46	1 1/4"	40.4	52.0	62	25	5	12
BZUB0141	1 1/2"	52	1 1/2"	46.4	58.0	68	25	6	12
BZUB0142	2"	64	2"	58.4	72.0	80	25	6	12
BZUB0143	2 1/2"	80	2 1/2"	75.4	88.5	110	25	6	12