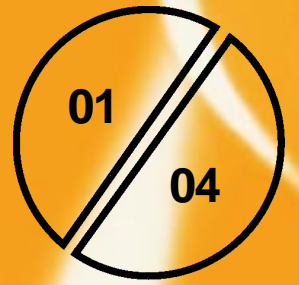




Quality Products for Mechanical
& Fluid Power



SCREW PUMPS





CONTENTS

quality products for mechanical & fluid power

The details contained within this catalogue are reproduced in accordance with the latest information at going to press

E & OE

	<i>Page</i>
Product list	I
Introduction	II - III
Screw Pump Range	IV - V
Quick Flow Size Chart	1
PDA Series with valve	2 - 3
PX Series	4 - 5
PGA4 Series	6 - 7
PO Series	8 - 9
PQJ Series	10 - 11
PE4 Series	12 - 13
PE4 Series with relief valve	14 - 15
PEA3 Series	16 - 17
PEA3 Series with relief valve	18 - 19
PC Series with axial inlet flange	20 - 21
PC Series with radial inlet flange	22 - 23
PH4 Series	24 - 25
PF6 Series balanced idlers	26 - 27
PU Series with axial inlet flange	28 - 29
PU Series with radial inlet flange	30 - 31
PAV Series with bellhousing	32 - 33
PA Series with strainer	34 - 35
PA Series with axial inlet flange	36 - 37
VMP Pressure relief valve	38 - 39
MD Series - Direct Coupling Motor Pumps	40



Our screw pumps are volumetric self-priming pumps suited to handle oils and liquids with a minimum lubricating quality. The simplicity of the design makes these pumps intrinsically reliable and efficient. Three screws rotate inside a casing with close tolerances, thus forming sealed chambers and provoking the axial displacement of the fluid. The idler spindles rotate without contact with the driving spindle because of the fluid itself, thus being free from radial forces.



The accurate hydraulic balance and the special profile of the screw thread guarantee a continuous flow with minimum pulsations and turbulence, thus enabling extremely low noise levels even at high rotational speed.

The screws epicycloidal profiling is developed through a complex computerized calculation which not only perfectly defines their shape, but also controls the production with continuous monitoring of the machining process, consequently assuring a high degree of repeatable quality.

The high quality level is guaranteed by a final testing on 100% of the manufactured products.

We place the highest value on quality and we certify it

All Seim products are manufactured and tested in accordance with our ISO 9001 Quality Standard. Our products are 100% tested either to Seim standards or customer requirements. Certification is available on request.

Installation and maintenance manuals along with spare parts lists are available in multilingual format.



Seim Industrial Division Manufacturing Program features:

- **Screw pumps:** std according to API 676, for mineral and lubricating oils also fluids with low lubricating properties (water+oil, HFC, LFO, HFO). Flows up to 5,000 litres per minute and pressure upto 130 bar (200 bar peak).
- **Motor pump sets:** close coupled, AC or DC electric motors.
- **Pre-assembled systems:** with bell-housing and coupling arrangements.
- **Skid mounted pumps:** with or without motor but suitable for horizontal or vertical mounting.
- **High efficiency Air/Oil Heat Exchangers:** upto 14,000 kCal/h (16kW)
- **Relief valves:** Flow rate from 50 to 1,200 litres per minute and pressure up to 40 bar

Lubrication Applications

- Lubricating system for: speed variators, turbines, gearboxes, papermill machines, hot forming machines
- Lubrication system for the petrochemical, iron and steel, and mining industries as well as shipbuilding.

Driving Applications

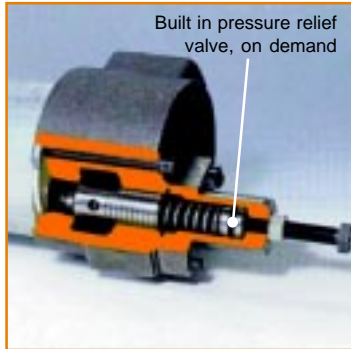
- Machine tools, bed traversing
- Hydraulic presses
- Hydraulic units for elevators
- Hydraulic supporting
- Rolling mills
- Test benches
- Sheet metal machines
- Plastic molding machines
- Medical Units

Recirculation and Filtering Applications

- **COOLING LUBRICATION:** deep hole drilling, pipe boring, chip conveyors.
- **FILTERING:** mobile filtering systems, off-line filtering systems for process machines and machine tools, hydraulic presses, textile machines, grinding machines
- **HEAT EXCHANGING:** injectors heating for plastic molding machines, heat exchangers.
- **FLUSHING AND BOOSTING:** piping systems washing, hydraulic systems flushing, boost circuits.

Fluids to be pumped

- Hydraulic oils
- Lubricating oils
- Diathermic oils
- Oil-in-water emulsions (min. oil percentage 5%)
- Light and heavy fuel oils
- Phosphoric esters



Built in pressure relief valve, on demand

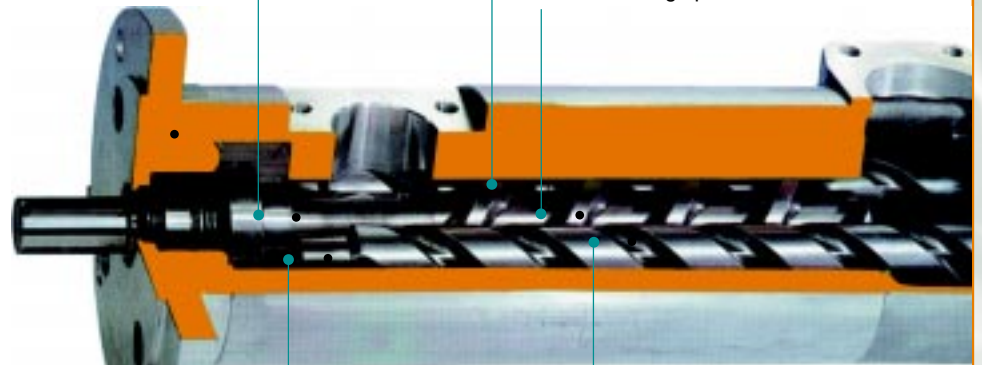


Maintenance-free unbalanced mechanical seal, constantly maintained at inlet pressure.

Groove ball bearing, lubricated by the fluid to be pumped (internal pump design).

Close manufacturing tolerances guarantee high volumetric efficiency and low noise.

Epicycloidal profile hydraulically balanced driving spindle.



A rational and unique technical solution. Thermal compensation and hydraulic sealing insert.

Coupling flange (ISO flange in the standard version).

Hypocycloidal profile idler spindles hydraulically driven by the fluid to be pumped.

Characteristics

- Compatible with a wide range of viscosities from 1 to 12,000 cSt and above.
- Efficiently working also at very low temperatures (-20°C).
- High self-priming capacity.
- High rotation rates = minimizing the size and cost of the pump.
- Steady flow rate = maximum efficiency in heat exchange applications.
- Special design for systems with entrained air in the lubricant = minimizing the vibrations and noise caused by air.
- Minimum sensitivity to particle pollution = longest life of the pump and circuit.
- Continuous operating pressures up to 130 bar, peak 200 bar.
- Pulsation-free = maximum efficiency of filtering applications.
- Extremely quiet.

VISCOSITY CHART

cSt	°E	SSU	SR1
5	1,39	42	37
10	1,83	58	51
20	2,87	97	85
30	4,07	141	123
40	5,33	185	163
50	6,62	230	203
75	9,89	343	304
100	13,17	456	405
150	19,74	683	608
200	26,3	910	810
250	32,9	1.137	1.012
300	39,4	1.364	1.215
400	52,6	1.819	1.620
500	65,8	2.273	2.024
600	78,9	2.727	2.429
800	105,3	3.637	3.239
1.000	131,6	4.546	4.049
1.250	164,5	5.682	5.061
1.500	197,4	6.818	6.073
2.200	290	10.000	8.460
4.400	590	20.000	16.920



Direction of rotation: clockwise for all pumps as seen from the driving side. Bi-directional and reverse rotation pump available depending on series.

S C R E W P U M P P R O D U C T R A N G E												
Series	PA	PC	PDA	PEA3	PE4	PF	PGA	PH	PO	PQJ	PU	PX
Models (No.)	23	22	7	5	20	15	22	22	12	5	9	22
Delivery Flow (lpm)	3 - 950	10 - 1500	15 - 160	300/1500	10 - 950	10 - 390	10 - 1500	10 - 1500	10 - 280	3 - 30	500/5000	10 - 2400
Maximum Continuous Delivery Pressure (bar)	50	40	10	50	80	130	60	80	100	10	30	30
Viscosity (cSt) - (1)	10 - 400	10 - 400	20 - 400	10 - 400	10 - 400	10 - 400	1 - 400	5 - 400	1 - 400	10 - 400	10 - 400	10 - 400
Working Temperature (°C) - (1)	0 - 120	0 - 120	0 - 100	0 - 120	0 - 120	0 - 120	0 - 60	-20/+160	0 - 60	0 - 100	0 - 120	0 - 120
Rotating Speed (rpm minimum/maximum)	750/3500	750/3500	750/3500	750/3500	750/3500	750/3500	1450/3500	750/3500	1450/3500	750/3500	750/1500	750/2900
M E D I A C O M P A T I B I L I T Y												
Lube & Lubricating Oils	+	+	+	+	+	+	O	+	O	+	+	+
Diathermic Oils		+		+	+	+		+			+	+
Fuel Oils		O					+	+	+		O	O
Oil or Glycol Water Emulsion							+	O	+		O	O
S E R I E S M A I N C H A R A C T E R I S T I C S												
Self-priming Capacity	+	+	+	+	+	+	+	+	+	+	+	+
Seal Type (M = mechanical - C = lip)	(2)	M	M	M	M	M	M	M	M	C	M	M
B U I L T - I N R E L I E F V A L V E												
Internal Relief			O	O	O			O		O	O	O
External Relief				O	O		O		O		O	O
In-Line (VMP)	O	O	O	O	O		O	O	O	O	O	O
M O U N T I N G												
Horizontal		+	+	+	+	+	+	+	+	+	+	+
Vertical	+	+	+	+	+	+	+	+	+	+	+	+
Flanged	+	+	+	+	+	+	+	+	+	+	O	+
On Foot		O		O	O	O	O	O	O		+	O
Tripod		O		O	O	O	O	O	O		O	O
On Base-Plate		O		O	O	O	O	O	O		O	O
Direct Coupling Motor Pump			O							O		
M A T E R I A L S												
Casing	A	A/G	A	A	A	A	H	G	H	A	G	G
External Casing		C										
Main/Idler Screws	N/G	N	N/G	N	N	N	N	N	N	N/G	N	N/G
O-rings		V	V	V	V	V	V	V	V	V	V	V
Seal (3) Shaft		Z	S	S	S	S	W (or T)	W (or T)	W (or T)	V	W	S (or T)
S U C T I O N / D E L I V E R Y P O R T S												
BSP	+	(4)	+	O	O	O	O	O		+		+
SAE				+	+	+	+	+	+			+
DIN			O	O	O	O	O	O			+	O
ANSI			+	O	O	O	O	O			O	O

+ - Standard execution O - Optional

(1) Viscosity range for standard built pumps, for different functional characteristics please contact the jbj Techniques Ltd. technical department tel: 01737 767493 or email: info@jbj.co.uk.

(2) Submerged pump.

(3) Other typologies/materials upon request

(4) Optional, with strainer on suction side

Materials

A: Aluminium alloy

H: Cast iron + resin insert

T: Teflon ®

Z: Silicium carbide/graphite

C: Carbon steel

N: Nitrided steel

V: Viton ®

G: Cast iron

S: AISI 630 Stainless steel/graphite

W: Tungsten carbide/ Tungsten carbide

SCREW PUMPS

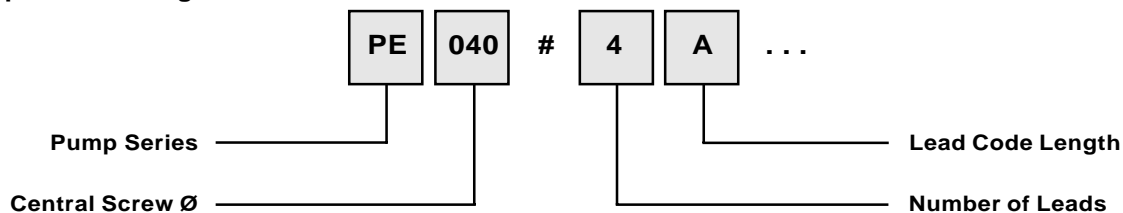
SCREW PUMP PRODUCT RANGE



Screw Pump displacement, series, number of leads, model code

Displacement (cm ³ /rev)	Inner Screw ø (mm)	Lead	Lead Code	Pump Series											
				PA	PC	PDA	PE3	PE4	PF	PGA	PH	PO	PQJ	PU	PX
				Number of Leads											
3.3	018	022	A	6									4		
4.8		032	B	6									4		
6.6		044	C	6									4		
9.6	025	034	A	6	4			4	6	4	4	6	3		4
11.8		042	B	6	4			4	6	4	4	6			4
14.1		050	C	6	4			4	6	4	4	6			4
15.9	029	042	A	6	4	2		4	6	4	4	6			
18.9		050	B	6	4	2		4	6	4	4	6			
22.1	032	048	A	4	4	2		4	6	4	4	6			4
29.5		064	B	4	4	2		4	6	4	4	6			4
40.4	040	056	A	4	4	2		4	6	4	4	6			4
49.0		068	B	4	4	2		4	6	4	4	6			4
57.7		080	C	4	4	2		4	6	4	4	6			4
69.4	045	076	A	4	4			4	6	4	4	6			4
82.1		090	B	4	4			4	6	4	4	6			4
98.2	055	072	A	4	4			4	6	4	4				4
117.2		086	B	4	4			4	6	4	4				4
139.1		102	C	4	4			4	6	4	4				4
165.5	060	102	A	4	4			4		4	4				4
194.7		120	B	4	4			4		4	4				4
233.6	072	100	A	4	3		3	4		4	4				4
280.4		120	B	4	3		3	4		4	4				4
336.4		144	C	4	3		3	4		4	4				4
434.7	083	140	A		3		3			4	4				3
527.8		170	B		3		3			4	4				3
638.0	102	136	A											3	3
788.0		168	B											3	3
975.0		208	C											3	3
1202.0	126	168	A											3	3
1488.0		208	B											3	3
1832.0		256	C											3	3
2281.0	156	208	A											3	
2807.0		256	B											3	
3421.0		312	C											3	

Example of ordering code





Quick Flow Size Chart										
Screw Diameter	018			025			029		032	
Code letter	A	B	C	A	B	C	A	B	A	B
Displacement (cm ³)	3.3	4.8	6.6	9.6	11.8	14.1	15.9	18.9	22.1	29.5
Q@1450 rpm (lpm)	5	7	10	14	17	20	23	27	32	43
Q@2900 rpm (lpm)	10	14	19	28	34	41	46	55	64	86

Screw Diameter	040			045		055			060	
Code letter	A	B	C	A	B	A	B	C	A	B
Displacement (cm ³)	40.4	49	57.7	60.4	82.1	98.2	117	139	165.5	194.7
Q@1450 rpm (lpm)	59	71	84	88	119	142	170	202	240	282
Q@2900 rpm (lpm)	117	142	167	175	238	285	340	403	480	565

Screw Diameter	072			083		102			126			156		
Code letter	A	B	C	A	B	A	B	C	A	B	C	A	B	B
Displacement (cm ³)	234	280	336	434.7	527.8	438	788	975	1202	1488	1832	2281	2807	3421
Q@1450 rpm (lpm)	339	407	488	630	765	635	1143	1414	1743	2158	2656	3307	4070	4960
Q@2900 rpm (lpm)	677	813	976	1261	1531	-	-	-	-	-	-	-	-	-

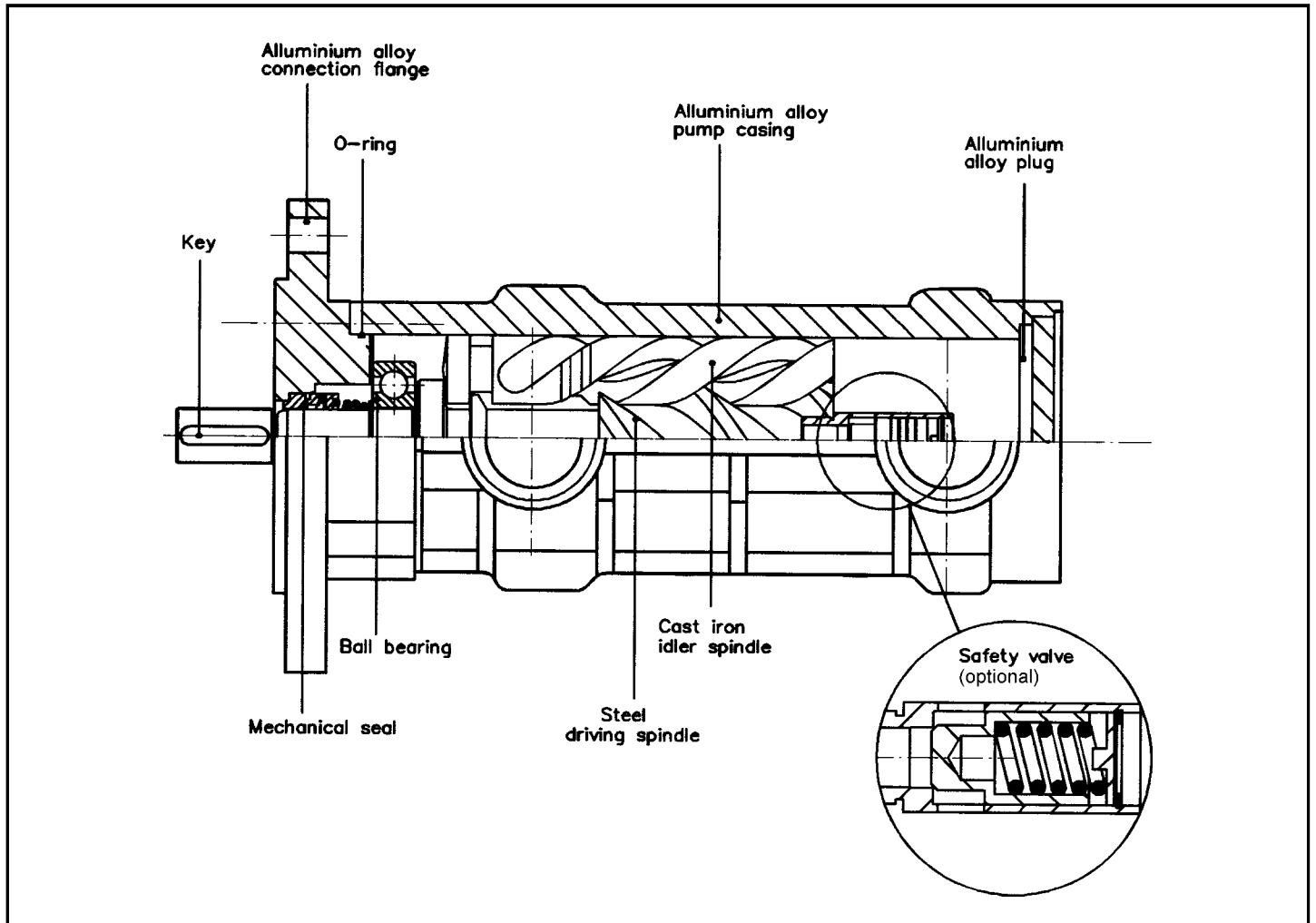
See page IV for pressure ranges and page V for screw diameters and codes

SCREW PUMPS

PDA SERIES WITH VALVE



For hydraulic oils, lubricating oils. Admissible delivery pressure (standard valve setting) = 6 bar

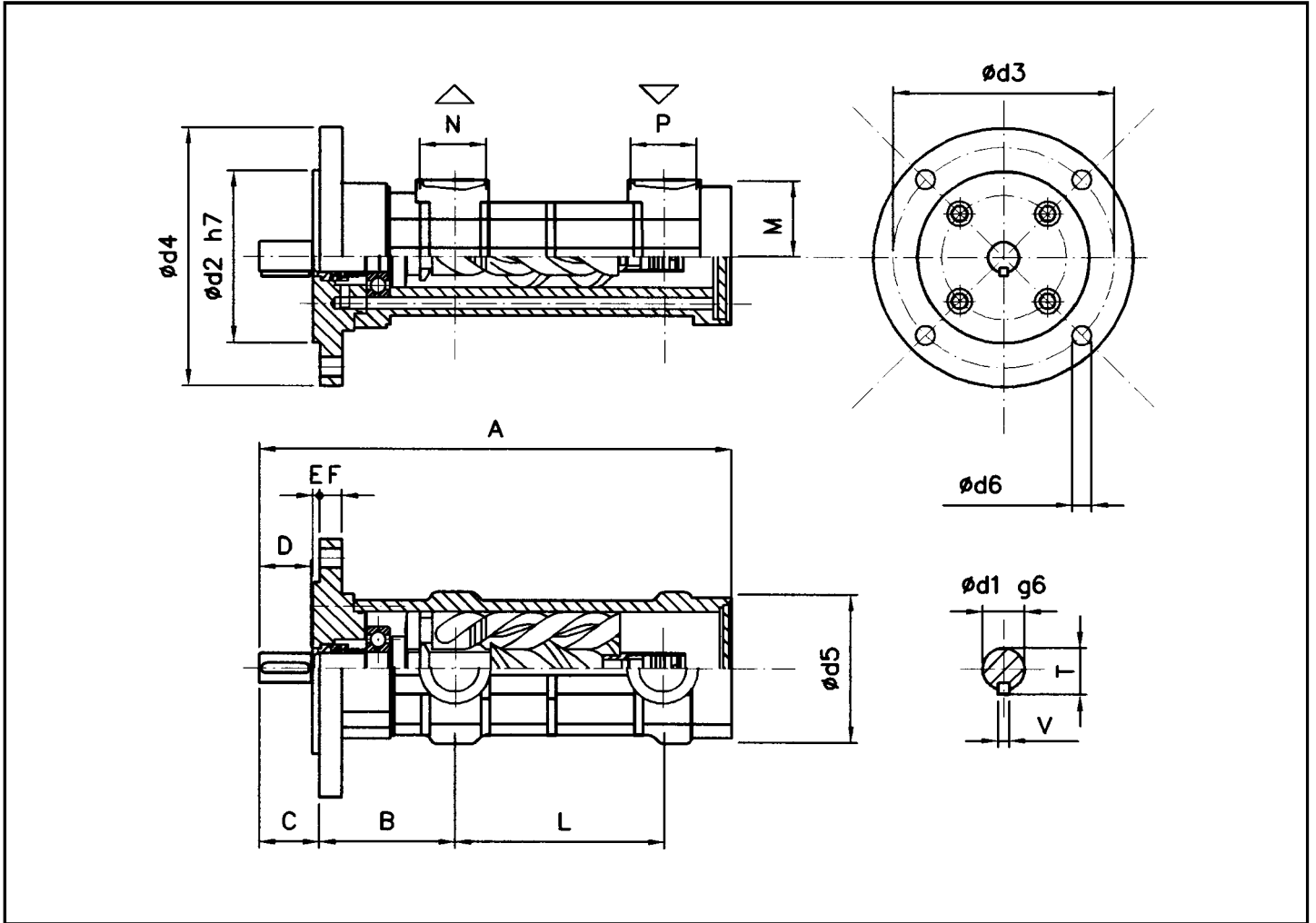


Functional Characteristics, Standard Version		
Delivery flow	15 to 160 l/min	
Admissible delivery pressure*	up to 10 bar continuous	
Admissible suction pressure	-0.4 to 2 bar	For different values contact jbj tech. dept.
Kinematics viscosity	20 to 400 cSt	For different values contact jbj tech. dept.
Admissible temperature	0° to 100°C (32° to 212°F)	For different values contact jbj tech. dept.
Driving speed	750 to 3600 rpm	
Average noise level	56 - 62 dB(A) at 2900 rpm according to pump dimension	
Recommended filtration	60 micron max, suction side (not abrasive contaminant)	ISO4406 19/16 - NAS10
Direction of rotation	clockwise, as seen from the driving side	
* Reduced pressure limits apply due to fluid viscosity and driving speed. Consult the performance charts for the individual pump size		

For different functional characteristics, please contact the jbj Techniques Ltd. technical department tel: 01737 767493 or email: info@jbj.co.uk.



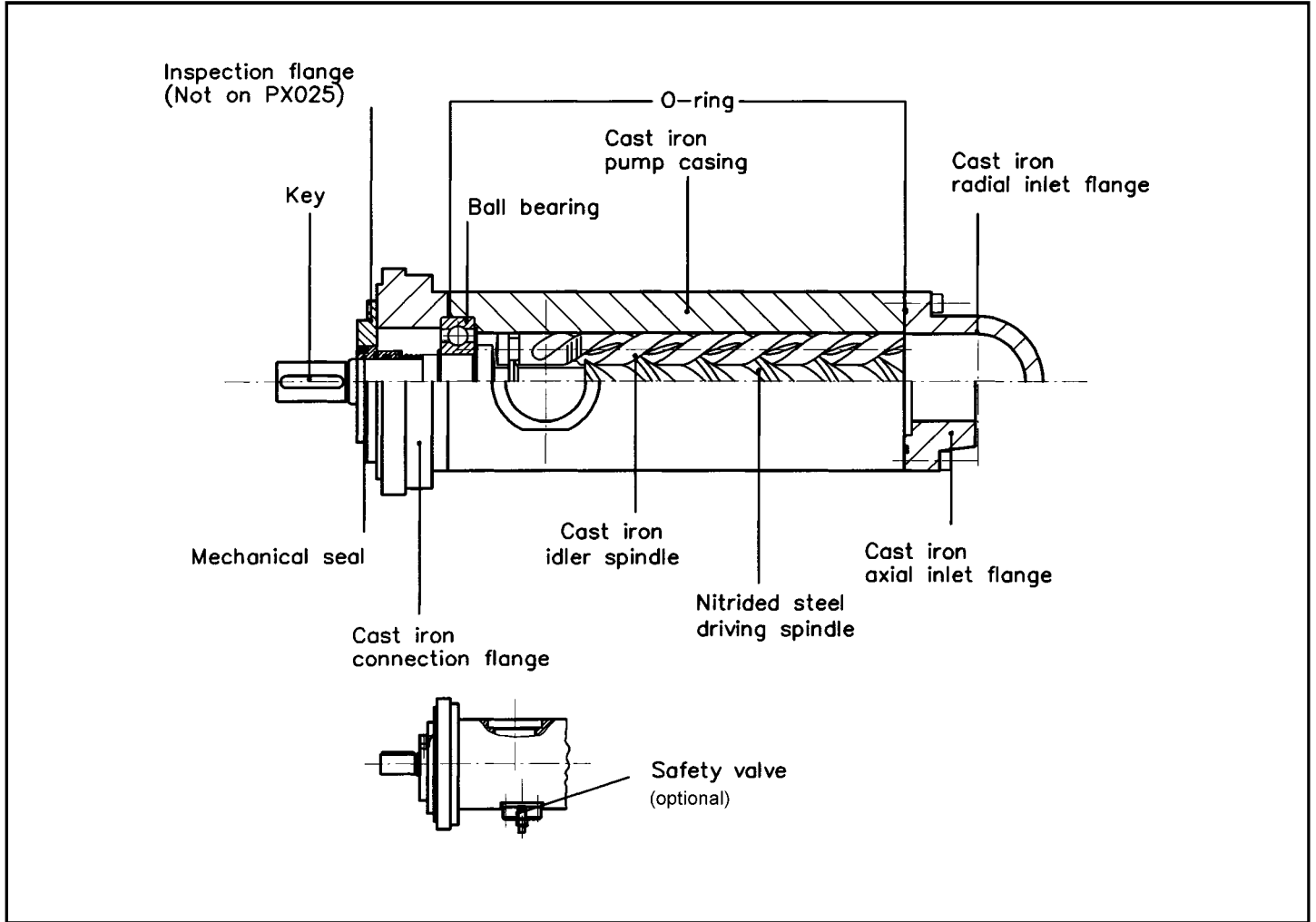
Main field of application: Low pressure lubrication systems, auxiliary filtration systems, cooling systems.



Dimensions in mm (unless otherwise stated)																		
Size	A	B	C	D	E	F	L	M	N	P	T	V	d1	d2	d3	d4	d5	d6
									GAS									
PDA029#2..01.	278	82	42	35	5	14	122	39	1"	1"	21.5	6	19	100	125	150	95	11
PDA032#2..01.	278	82	42	35	5	14	122	39	1"	1"	21.5	6	19	100	125	150	95	11
PDA040#2..01.	300	82	42	35	5	14	140	39	1½"	1½"	21.5	6	19	100	125	150	95	11



For hydraulic oils, lubricating oils. Admissible delivery pressure (continuous) = 30 bar at 2900rpm

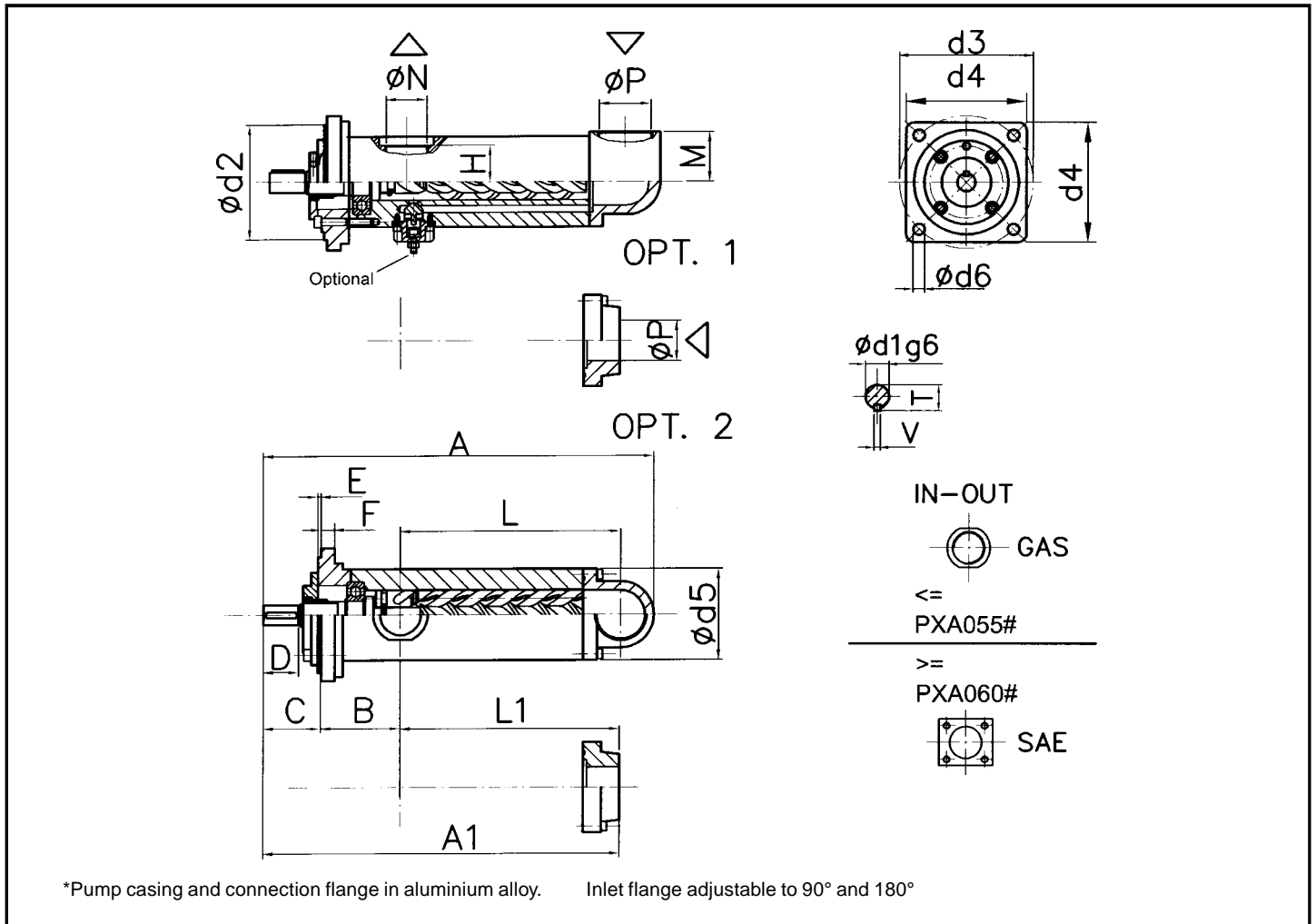


Functional Characteristics, Standard Version		
Delivery flow	10 to 1500 l/min	
Admissible delivery pressure*	up to 30 bar continuous	
Admissible suction pressure	-0.5 to 10 bar	For different values contact jbj tech. dept.
Kinematics viscosity	10 to 400 cSt	For different values contact jbj tech. dept.
Admissible temperature	0° to 120°C	For different values contact jbj tech. dept.
Driving speed	750 to 3600 rpm	
Average noise level	53 - 68 dB(A) at 2900 rpm according to pump dimension	
Recommended filtration	60 micron max, suction side (not abrasive contaminant)	ISO4406 19/16 - NAS10
Direction of rotation	clockwise, as seen from the driving side	
*Standard valve setting	mod. A: 0-7 bar mod. B: 7 - 16 bar	
* Reduced pressure limits apply due to fluid viscosity and driving speed. Consult the performance charts for the individual pump size		

For different functional characteristics, please contact the jbj Techniques Ltd. technical department tel: 01737 767493 or email: info@jbj.co.uk.



Main field of application: Industrial purpose, low pressure range: lubrication, cooling and auxiliary filtration systems

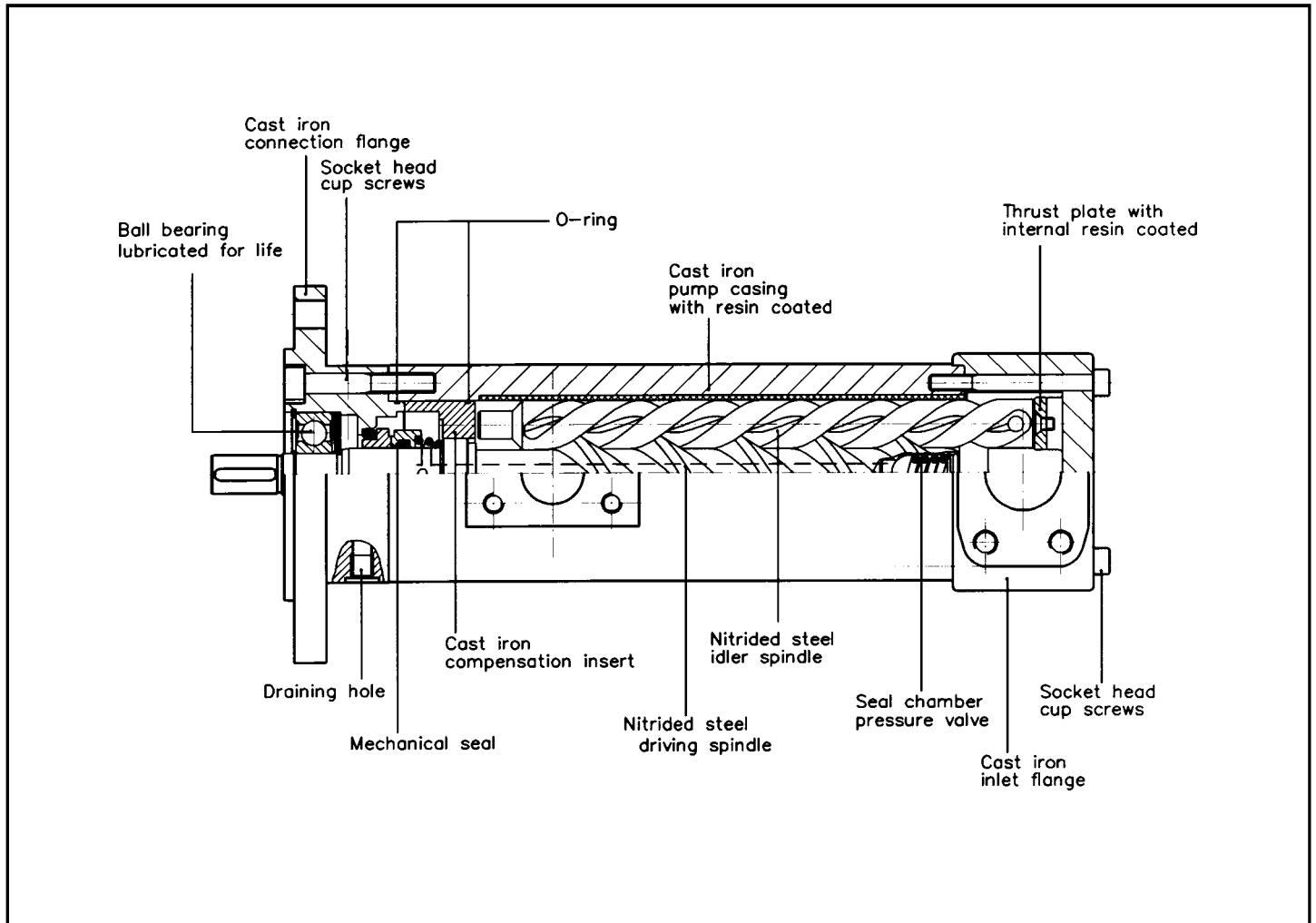


Dimensions in mm (unless otherwise stated)																					
Size	A	A1	B	C	D	E	F	H	L	L1	M	N	P	T	V	d1	d2	d3	d4	d5	d6
PX025#6...	310	294.0	65.0	47.5	25	5	10	32.5	178	181	42.0	¾"	1"	16.0	5	14	100	125	150	80	11
PX032#4...	412	360.0	73.0	75.0	40	5	15	40.5	227	212	60.0	1½"	2"	21.5	6	19	125	160	145	100	13
PX040#4...	440	390.0	73.0	75.0	40	5	15	40.5	256	241	60.0	1½"	2"	21.5	6	19	125	160	145	100	13
PX045#4...	494	431.5	91.5	81.0	51	5	15	55.5	269	259	75.5	2"	2½"	35.0	10	32	125	160	145	135	13
PX055#4...	534	472.0	91.5	82.0	51	5	15	55.5	308	298	75.5	2"	2½"	35.0	10	32	125	160	145	135	13
PX060#4...	631	526.5	88.0	83.5	51	5	18	75.0	387	355	100.0	2½"	4"	35.0	10	32	160	200	195	170	18
PX072#4...	717	613.0	88.0	101.0	65	5	18	75.0	455	424	100.0	2½"	4"	35.0	10	32	160	200	195	170	18
*PX083#3...	785	N.D.	194.0	90.0	80	5	30	95.5	406	N.D.	118.0	4"	5"	48.5	14	45	250	315	365	180	26

The range has been extended to include sizes 102 and 126. Please contact jbj Techniques Ltd. technical department tel: 01737 767493 or email: info@jbj.co.uk for details.



For cooling lubricants with low viscosity and minimum lubricating properties. Admissible delivery pressure (continuous) = 60 bar at 2900 rpm

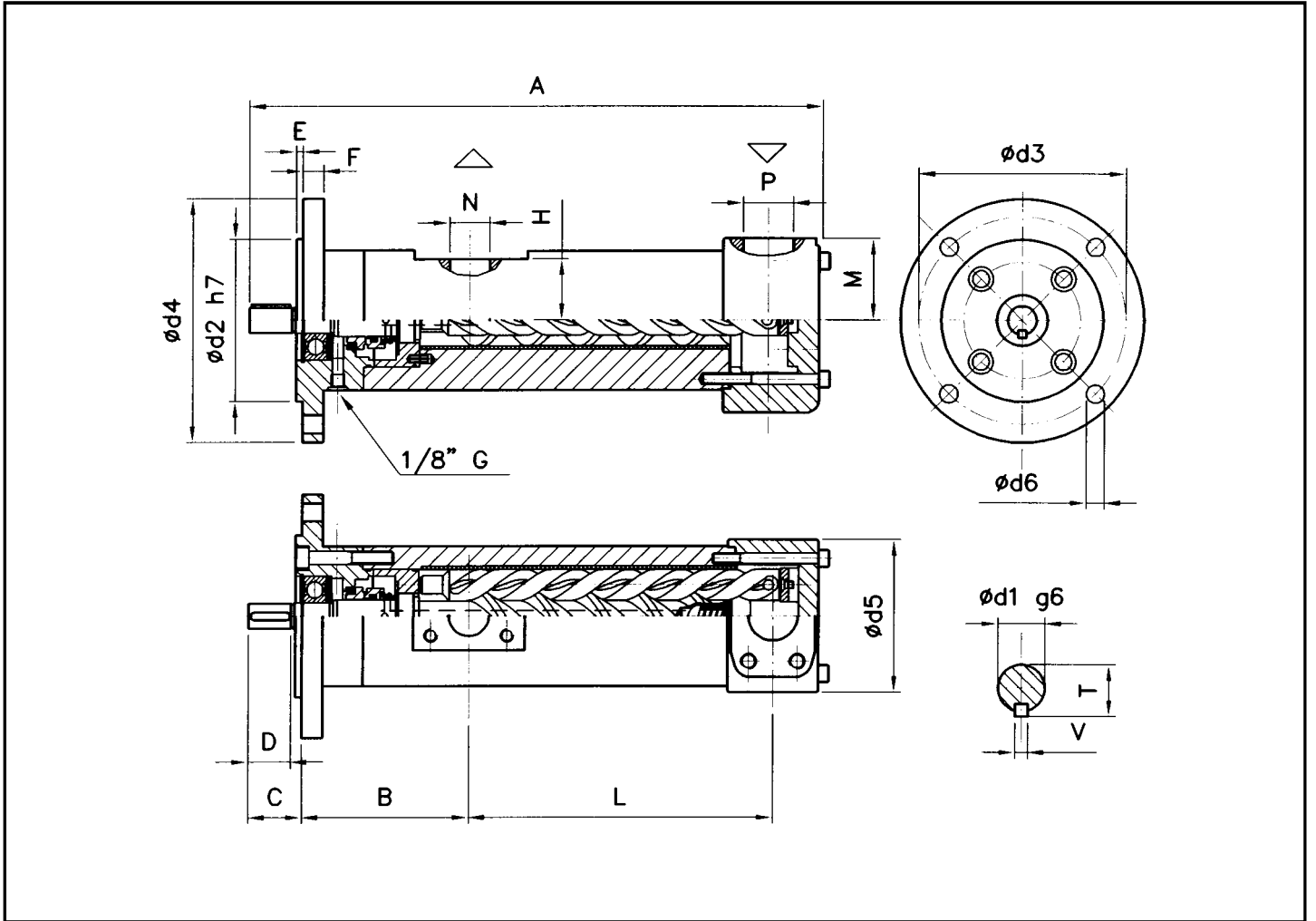


Functional Characteristics, Standard Version	
Delivery flow	20 to 1500 l/min
Admissible delivery pressure*	upto 60 bar continuous at 2900 rpm
Admissible suction pressure	-0.5 to 10 bar For different values contact jbj tech. dept.
Kinematics viscosity	1 to 10 cSt typical and up to 400cSt For different values contact jbj tech. dept.
Admissible temperature	0° to 60°C (32° to 140°F) For different values contact jbj tech. dept.
Driving speed	2900 to 3500 rpm (1450 rpm up to 10 bar)
Average noise level	58 - 72 dB(A) at 2900 rpm according to pump dimension
Recommended filtration	40 micron maximum, suction side (not abrasive contaminant) ISO4406 18/15 - NAS9
Direction of rotation	clockwise, as seen from the driving side
* Reduced pressure limits apply due to fluid viscosity and driving speed. Consult the performance charts for the individual pump size	

For different functional characteristics, please contact the jbj Techniques Ltd. technical department tel: 01737 767493 or email: info@jbj.co.uk.



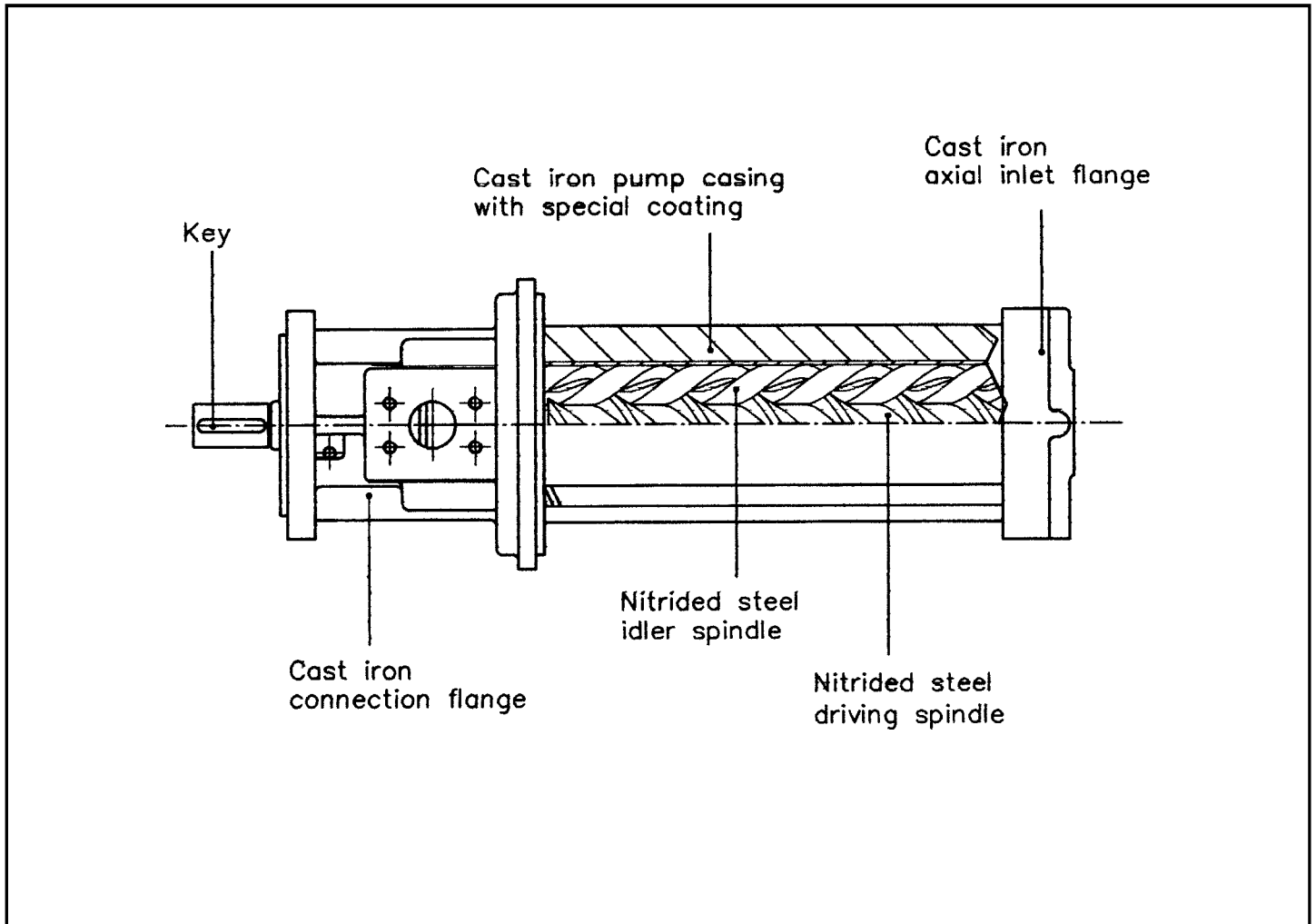
Main field of application: Machine tools high pressure cooling systems



Dimensions in mm (unless otherwise stated)																			
Size	A	B	C	D	E	F	H	L	M	N	P	T	V	d1	d2	d3	d4	d5	d6
										SAE									
PGA025#4...	347	120	42	35	5	14	40	150	55	1"	1 1/4"	21.5	6	19	100	125	150	105	11
PGA029#4...	347	120	42	35	5	14	40	150	55	1"	1 1/4"	21.5	6	19	100	125	150	105	11
PGA032#4...	377	120	42	35	5	14	40	180	55	1"	1 1/4"	21.5	6	19	100	125	150	105	11
PGA040#4...	434	128	47	40	5	16	47	221	62	1 1/4"	1 1/2"	24.5	6	22	125	160	188	118	14
PGA045#4...	484	142	47	40	5	18	53	251	68	1 1/2"	2"	27.0	8	24	125	160	188	131	14
PGA055#4...	561	159	62	55	5	20	64	290	82	2"	2 1/2"	33.0	8	30	160	200	234	158	18
PGA060#4...	635	172	62	55	5	23	69	343	89	2 1/2"	3"	35.0	10	32	160	200	234	172	18
PGA072#4...	768	194	82	75	5	25	79	413	102	3"	4"	41.0	10	38	200	250	292	198	22
PGA083#4...	884	212	90	82	5	30	95	490	118	3 1/2"	5"	48.5	14	45	250	315	365	230	26



For cooling lubricants with low viscosity and minimum lubricating properties. Admissible delivery pressure (continuous) = 100 bar at 2900 rpm

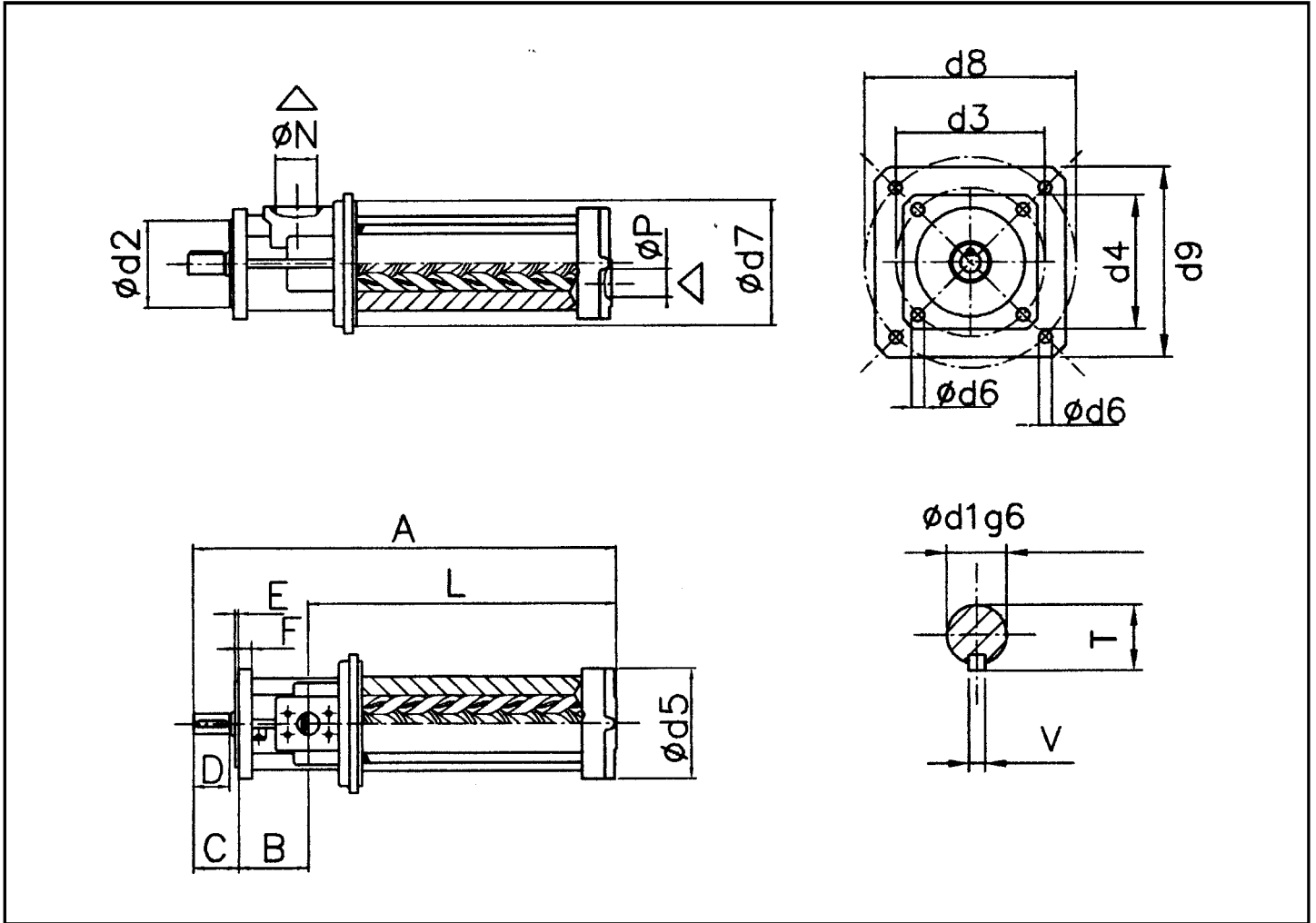


Functional Characteristics, Standard Version	
Delivery flow	20 to 280 l/min
Admissible delivery pressure*	up to 100 bar continuous at 2900rpm
Admissible suction pressure	-0.5 to 10 bar For different values contact jbj tech. dept
Kinematics viscosity	1 to 10 cSt typical and up to 400 cSt For different values contact jbj tech. dept.
Admissible temperature	0° to 60°C For different values contact jbj tech. dept
Driving speed	2900 to 3500 rpm
Average noise level	58 - 72 dB(A) at 2900 rpm according to pump dimension
Recommended filtration	40 micron maximum, suction side (not abrasive contaminant) ISO4406 18/15 - NAS9
Direction of rotation	clockwise, as seen from the driving side
* Reduced pressure limits apply due to fluid viscosity and driving speed. Consult the performance charts for the individual pump size	

For different functional characteristics, please contact the jbj Techniques Ltd. technical department tel: 01737 767493 or email: info@jbj.co.uk.



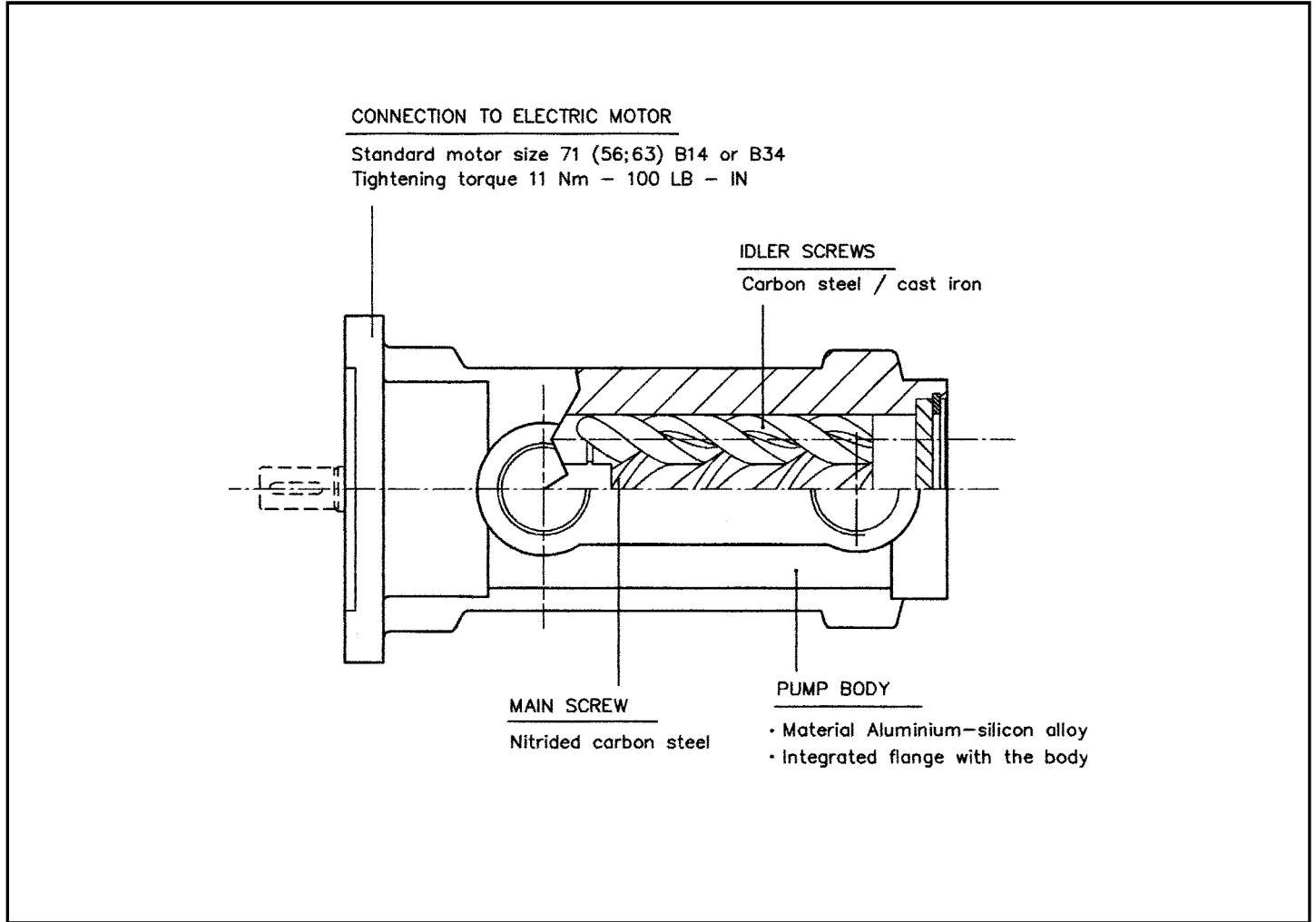
Main field of application: Machine tools high pressure cooling systems.



Dimensions in mm (unless otherwise stated)																				
Size	A	B	C	D	E	F	L	N P		T	V	d1	d2	d3	d4	d5	d6	d7	d8	d9
								SAE												
PO025#6...	397	76	43	35	7	15	278	1"	1"	21.5	6	19	100	160	140	136	11	140	160	160
PO029#6...	397	76	43	35	7	15	278	1"	1"	21.5	6	19	100	160	140	136	11	140	160	160
PO032#6...	441	76	43	35	7	15	322	1"	1"	21.5	6	19	100	160	140	136	11	140	160	160
PO040#6...	530	96	49	40	7	15	386	1½"	1½"	24.5	6	22	125	160	152	178	13	180	215	200
PO045#6...	583	96	49	40	7	15	439	1½"	1½"	27.0	8	24	125	160	152	178	13	180	215	200



For hydraulic oils, lubricating oils. Admissible delivery pressure (standard valve setting) = 5 bar

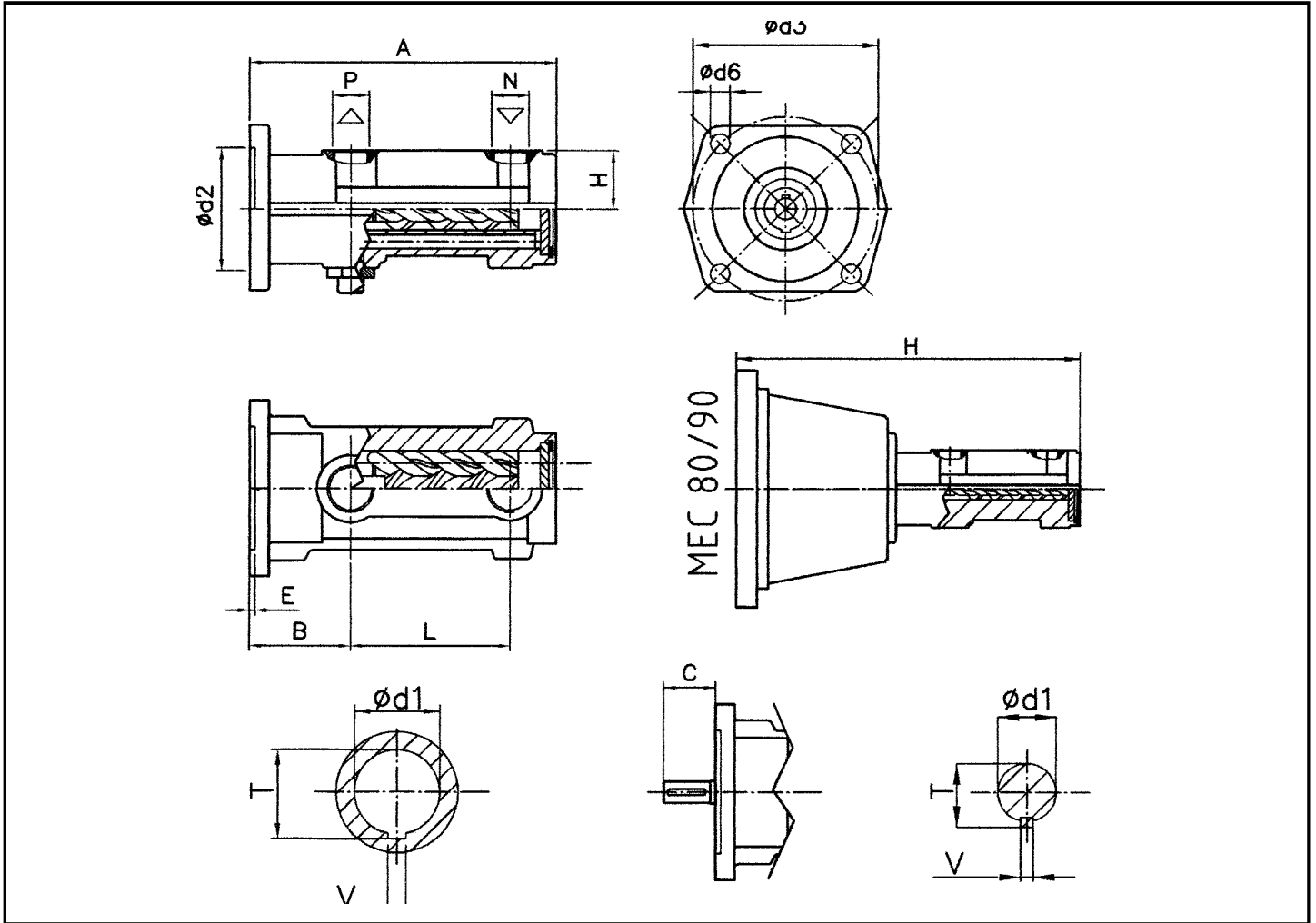


Functional Characteristics, Standard Version	
Delivery flow	3 to 38 l/min
Admissible delivery pressure*	up to 10 bar continuous
Admissible suction pressure	-0.2 to 1 bar
Kinematics viscosity	10 to 400 cSt For different values contact jbj tech. dept.
Admissible temperature	0° to 100°C For different values contact jbj tech. dept.
Driving speed	750 to 3600 rpm
Average noise level	56 dB(A) at 2900 rpm
Recommended filtration	60 micron max, suction side (not abrasive contaminant) ISO4406 19/16 - NAS10
Direction of rotation	clockwise, as seen from the driving side
* Reduced pressure limits apply due to fluid viscosity and driving speed. Consult the performance charts for the individual pump size	

For different functional characteristics, please contact the jbj Techniques Ltd. technical department tel: 01737 767493 or email: info@jbj.co.uk.



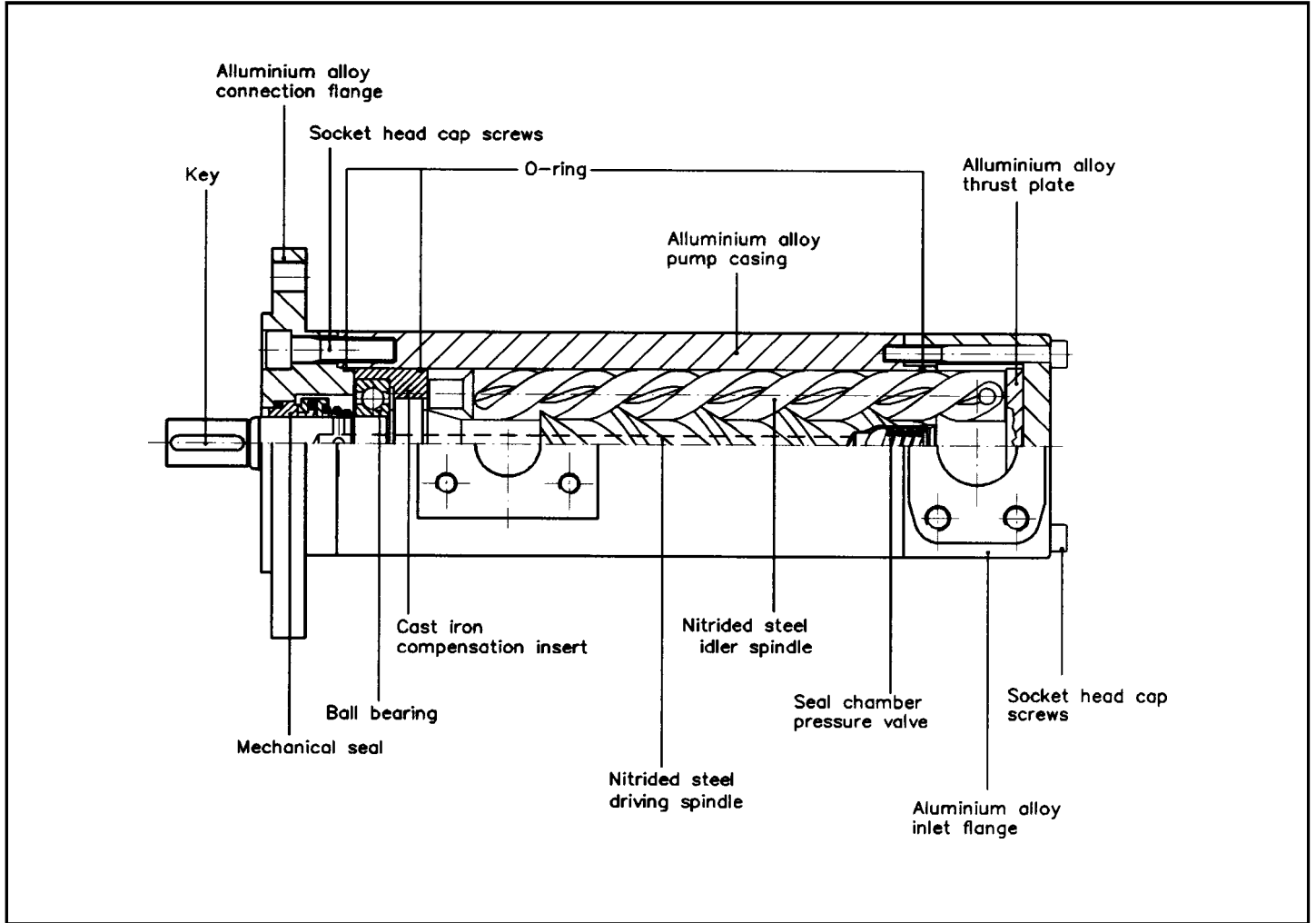
Main field of application: Auxiliary lubrication systems. Version with female shaft matching el. Motors size 56 - 71



Dimensions in mm (unless otherwise stated)														
Size	A	B	C	E	H	L	Gas		d2	d3	d6	d1	T	V
							N	P						
Version with Female Shaft												Female Shaft		
PQJ018#4...V	173	57	-	4	300	90	½"	½"	70	85	6.5	9	10.4	3
												11	12.8	4
PQJ025#3...V	173	57	-	4	300	90	¾"	¾"	70	85	6.5	14	16.0	5
Version with Male Shaft												Male Shaft		
PQJ018#4...V	173	57	30	4	300	90	½"	½"	70	85	6.5	14	16	5
PQJ025#3...V	173	57	30	4	300	90	¾"	¾"	70	85	6.5	14	16	5



For hydraulic oils, lubricating oils. Admissible delivery pressure (continuous) = 80 bar at 2900 rpm

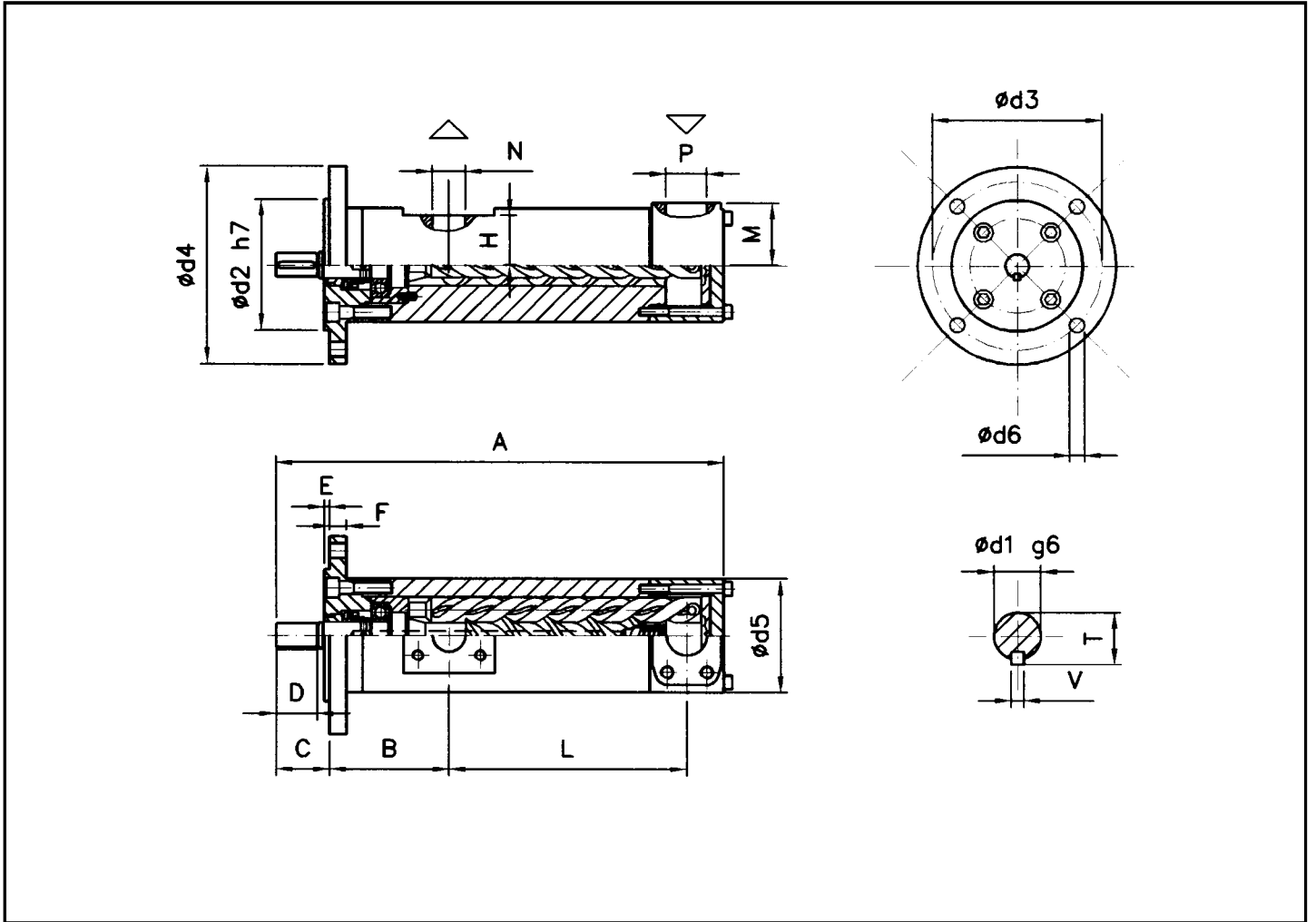


Functional Characteristics, Standard Version	
Delivery flow	10 to 850 l/min
Admissible delivery pressure*	up to 80 bar continuous, 120 bar peak at 2900 rpm
Admissible suction pressure	-0.5 to 5 bar For different values contact jbj tech. dept.
Kinematics viscosity	10 to 400 cSt For different values contact jbj tech. dept.
Admissible temperature	0° to 120°C (32° to 248°F) For different values contact jbj tech. dept.
Driving speed	750 to 3600 rpm
Average noise level	58 - 68 dB(A) at 2900 rpm according to pump dimension
Recommended filtration	40 micron max, suction side (not abrasive contaminant) ISO4406 18/15- NAS9
Direction of rotation	clockwise, as seen from the driving side
* Reduced pressure limits apply due to fluid viscosity and driving speed. Consult the performance charts for the individual pump size	

For different functional characteristics, please contact the jbj Techniques Ltd. technical department tel: 01737 767493 or email: info@jbj.co.uk.



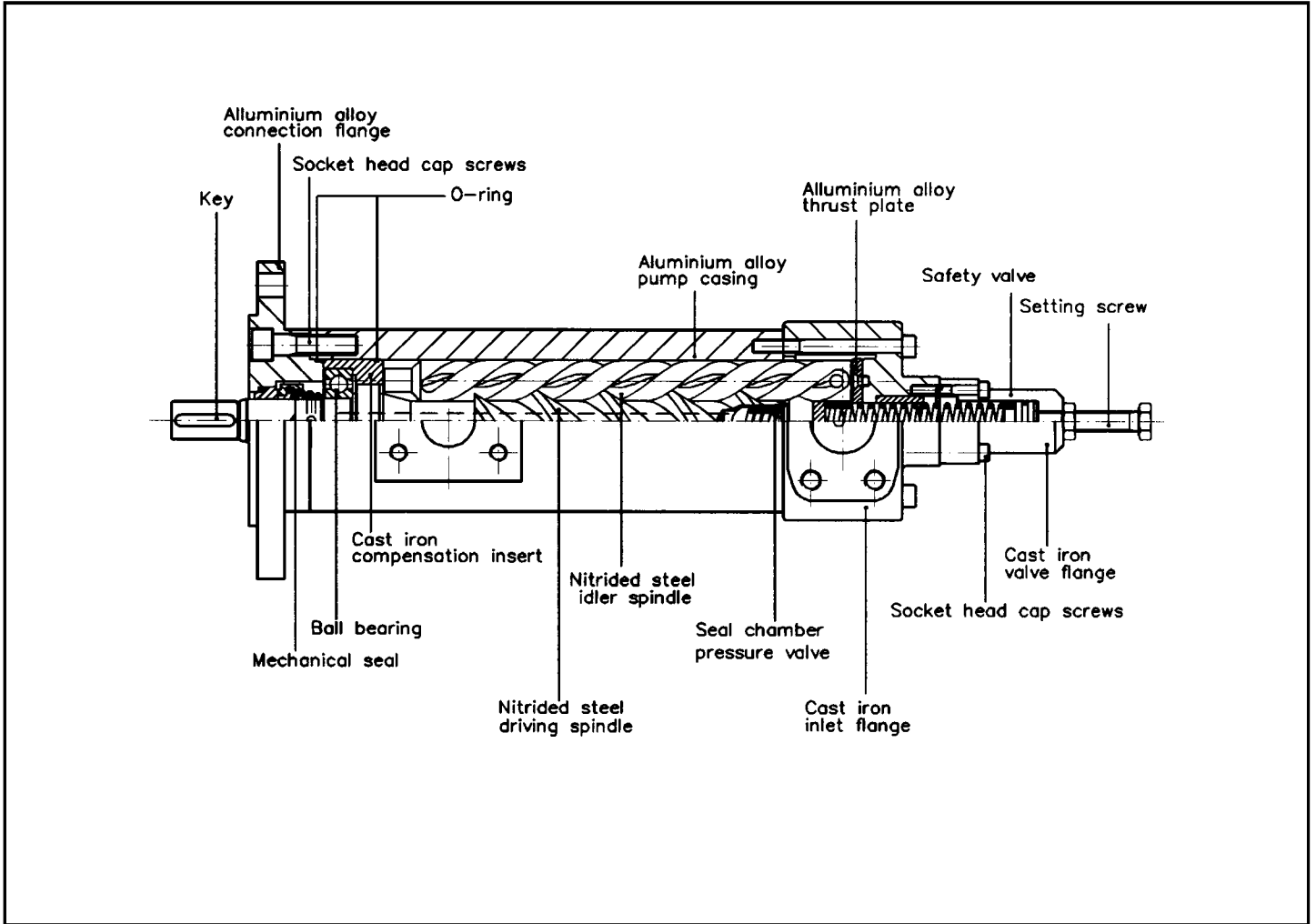
Main field of application: Industrial general purpose, middle pressure range.



Dimensions in mm (unless otherwise stated)																			
Size	A	B	C	D	E	F	H	L	M	N	P	T	V	d1	d2	d3	d4	d5	d6
										SAE									
PE025#4...	317	101.0	42	35.0	5	14	40	137.0	53	1"	1 1/4"	21.5	6	19	100	125	150	95	11
PE029#4...	317	101.0	42	35.0	5	14	40	137.0	53	1"	1 1/4"	21.5	6	19	100	125	150	95	11
PE032#4...	347	101.0	42	35.0	5	14	40	167.0	53	1"	1 1/4"	21.5	6	19	100	125	150	95	11
PE040#4...	404	112.0	47	40.0	5	16	47	209.0	59	1 1/4"	1 1/2"	24.5	6	22	125	160	188	108	14
PE045#4...	452	126.0	47	40.0	5	18	52	239.0	63	1 1/2"	2"	27.0	8	24	125	160	188	121	14
PE055#4...	526	136.0	62	55.0	5	20	60	278.0	76	2"	2 1/2"	33.0	8	30	160	200	234	148	18
PE060#4...	600	151.0	62	55.0	5	23	64	328.0	83	2 1/2"	3"	35.0	10	32	160	200	234	162	18
PE072#4...	733	172.5	82	74.5	5	25	79	398.5	96	3"	4"	41.0	10	38	200	250	292	187	22



For hydraulic oils, lubricating oils. Admissible delivery pressure (standard valve setting) = 7, 16 or 40 bar

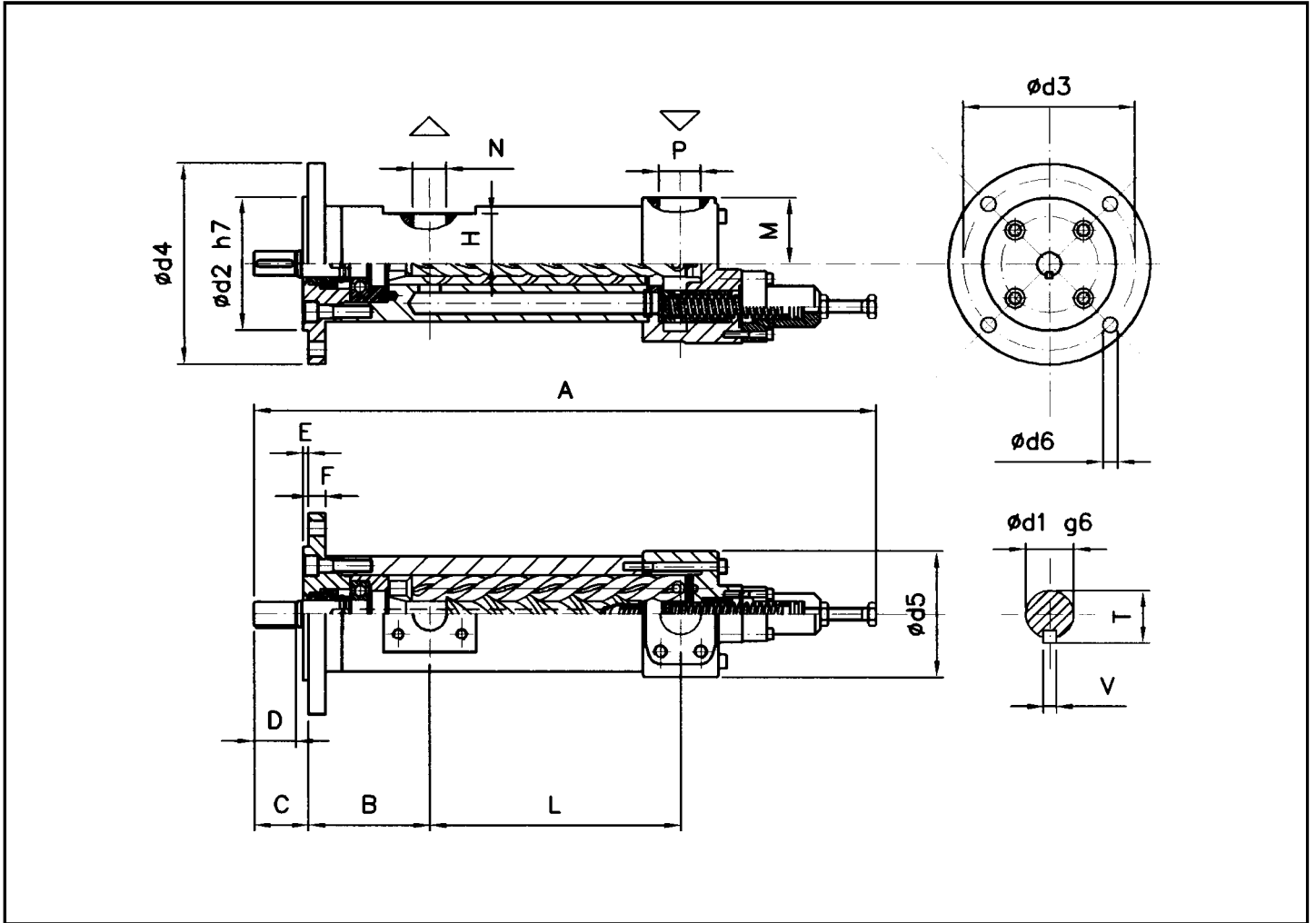


Functional Characteristics, Standard Version		
Delivery flow	10 to 550 l/min	
Admissible delivery pressure*	up to 40 bar continuous	
Admissible suction pressure	-0.5 to 5 bar	For different values contact jbj tech. dept.
Kinematics viscosity	10 to 400 cSt	For different values contact jbj tech. dept.
Admissible temperature	0° to 120°C (32° to 248°F)	For different values contact jbj tech. dept.
Driving speed	750 to 3600 rpm	
Average noise level	58 - 66 dB(A) at 2900 rpm according to pump dimension	
Recommended filtration	60 micron max, suction side (not abrasive contaminant)	ISO4406 19/16- NAS10
Direction of rotation	clockwise, as seen from the driving side	
*Standard valve setting	mod. A: 0 - 7 bar mod. B: 7 - 16 bar mod. C: 16 - 40 bar	
* Reduced pressure limits apply due to fluid viscosity and driving speed. Consult the performance charts for the individual pump size		

For different functional characteristics, please contact the jbj Techniques Ltd. technical department tel: 01737 767493 or email: info@jbj.co.uk.



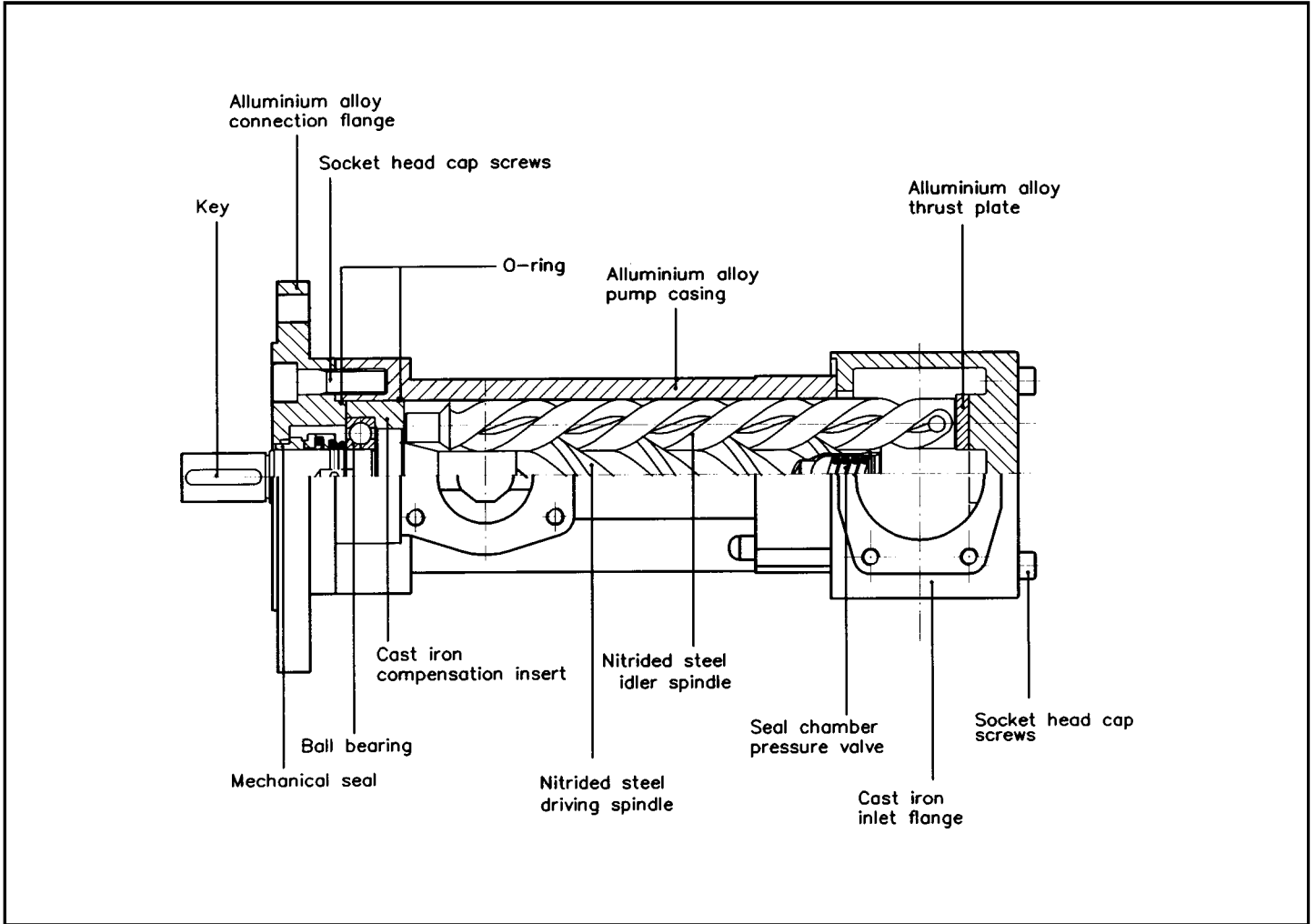
Main field of application: Industrial general purpose, low pressure range.



Dimensions in mm (unless otherwise stated)																			
Size	A	B	C	D	E	F	H	L	M	N	P	T	V	d1	d2	d3	d4	d5	d6
										SAE									
PE025#4..H..	429	101	42	35	5	14	40	151	55	1"	1 1/4"	21.5	6	19	100	125	150	105	11
PE029#4..H..	429	101	42	35	5	14	40	151	55	1"	1 1/4"	21.5	6	19	100	125	150	105	11
PE032#4..H..	459	101	42	35	5	14	40	181	55	1"	1 1/4"	21.5	6	19	100	125	150	105	11
PE040#4..H..	559	112	47	40	5	16	47	222	62	1 1/4"	1 1/2"	24.5	6	22	125	160	188	118	14
PE045#4..H..	597	126	47	40	5	18	53	252	68	1 1/2"	2"	27.0	8	24	125	160	188	131	14
PE055#4..H..	705	136	62	55	5	20	64	291	82	2"	2 1/2"	33.0	8	30	160	200	234	158	18
PE060#4..H..	775	151	62	55	5	23	69	344	89	2 1/2"	3"	35.0	10	32	160	200	234	172	18



For hydraulic oils, lubricating oils. Admissible delivery pressure (continuous) = 50 bar at 2900 rpm.

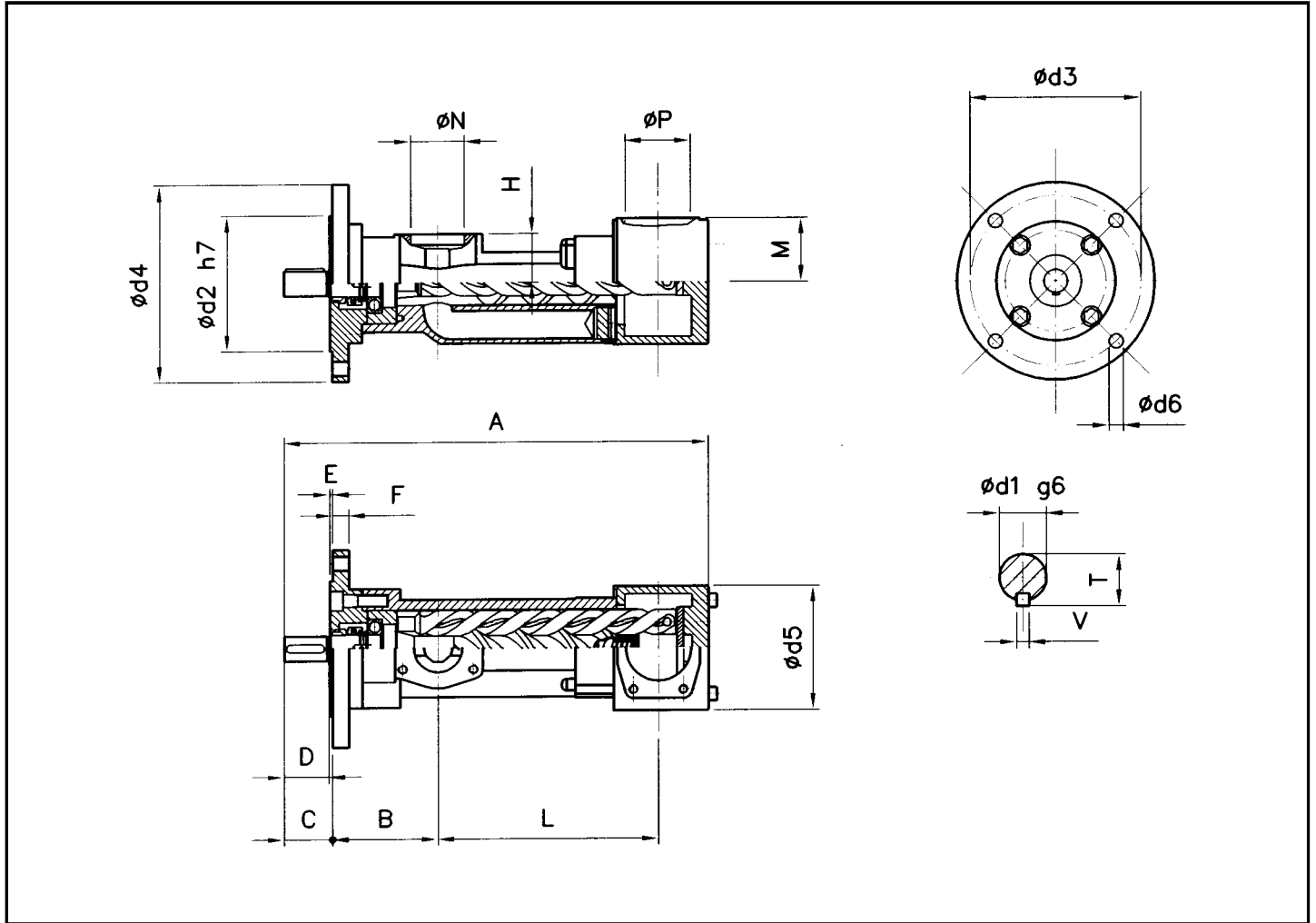


Functional Characteristics, Standard Version	
Delivery flow	300 to 1500 l/min
Admissible delivery pressure*	up to 50 bar continuous, 75 bar peak at 2900 rpm
Admissible suction pressure	-0.5 to 5 bar For different values contact jbj tech. dept.
Kinematics viscosity	10 to 400 cSt For different values contact jbj tech. dept.
Admissible temperature	0° to 120°C For different values contact jbj tech. dept.
Driving speed	750 to 3600 rpm (typical 1450 - 1750 rpm)
Average noise level	64 - 72 dB(A) at 2900 rpm according to pump dimension
Recommended filtration	60 micron max, suction side (not abrasive contaminant) ISO4406 19/16 - NAS10
Direction of rotation	clockwise, as seen from the driving side
* Reduced pressure limits apply due to fluid viscosity and driving speed. Consult the performance charts for the individual pump size	

For different functional characteristics, please contact the jbj Techniques Ltd. technical department tel: 01737 767493 or email: info@jbj.co.uk.



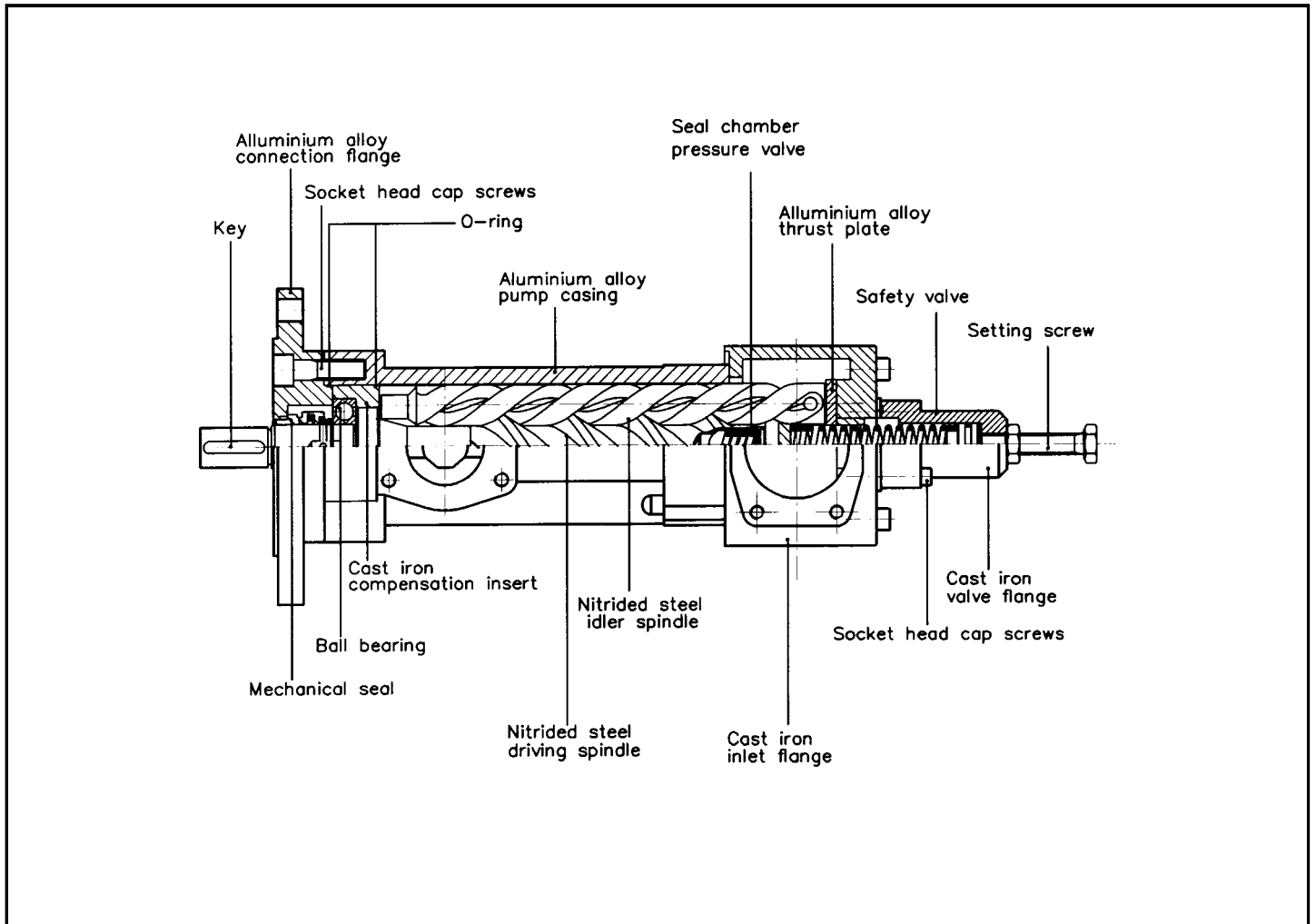
Main field of application: Industrial general purpose, low and middle pressure range.



Dimensions in mm (unless otherwise stated)																			
Size	A	B	C	D	E	F	H	L	M	N	P	T	V	d1	d2	d3	d4	d5	d6
										SAE									
PEA072#3..0..	676	172	82	75	5	25	80	342	102	3"	4"	41.0	10	38	200	250	292	198	22
PEA083#3..0..	781	194	90	82	5	30	95	406	118	4"	5"	48.5	14	45	250	315	365	230	26



For hydraulic oils, lubricating oils. Admissible delivery pressure (std valve setting) = 7, 16 or 40 bar.

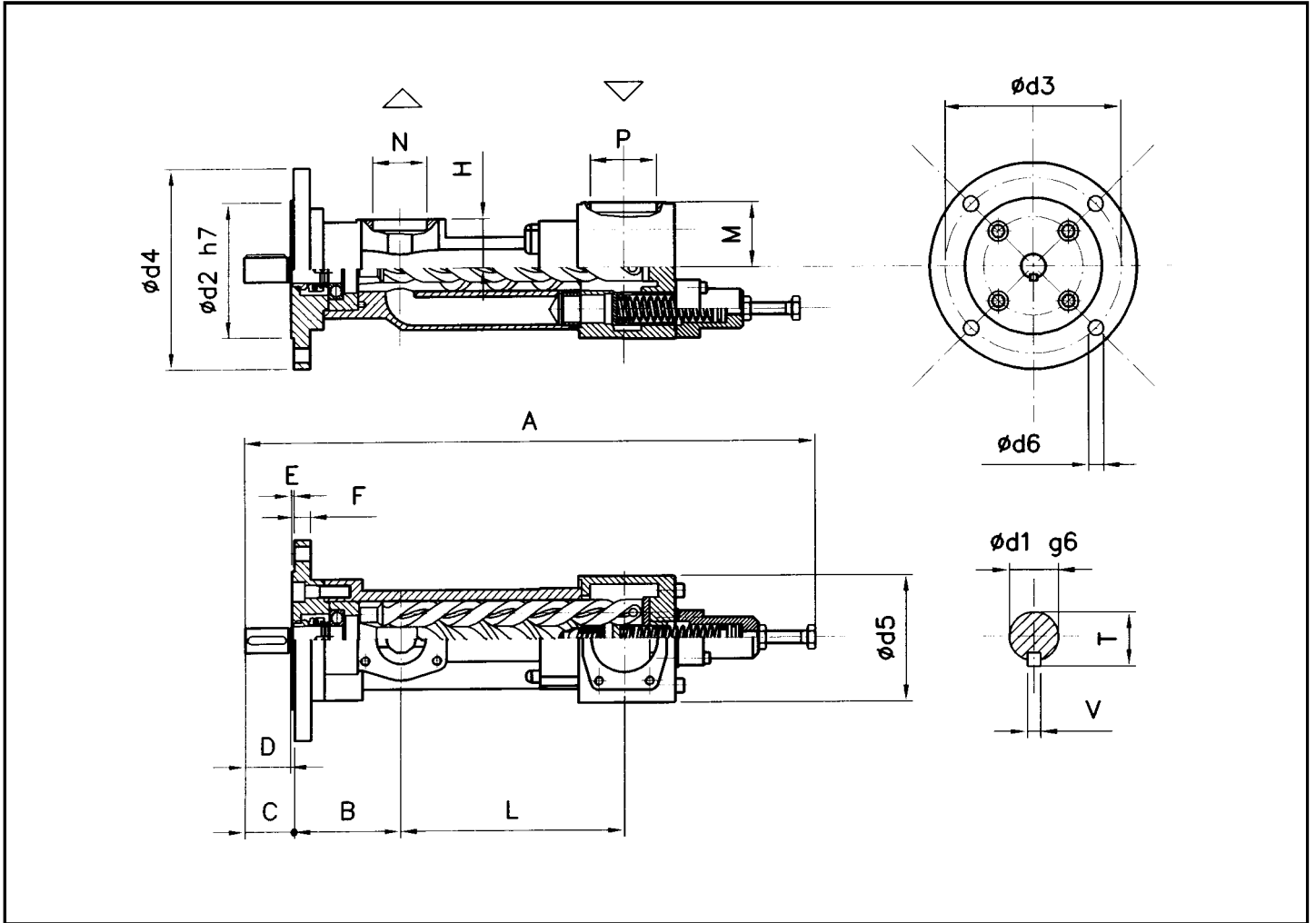


Functional Characteristics, Standard Version	
Delivery flow	300 to 1500 l/min
Admissible delivery pressure*	upto 40 bar continuous, 75 bar peak at 2900 rpm
Admissible suction pressure	-0.5 to 5 bar For different values contact jbj tech. dept.
Kinematics viscosity	10 to 400 cSt For different values contact jbj tech. dept.
Admissible temperature	0° to 120°C For different values contact jbj tech. dept.
Driving speed	750 to 3600 rpm
Average noise level	64 - 72 dB(A) at 2900 rpm according to pump dimension
Recommended filtration	60 micron max, suction side (not abrasive contaminant) ISO4406 19/16 - NAS10
Direction of rotation	clockwise, as seen from the driving side
*Standard valve setting	mod. A: 0 - 7 bar mod. B: 7 16 bar mod. C: 16 - 40 bar
* Reduced pressure limits apply due to fluid viscosity and driving speed. Consult the performance charts for the individual pump size	

For different functional characteristics, please contact the jbj Techniques Ltd. technical department tel: 01737 767493 or email: info@jbj.co.uk.



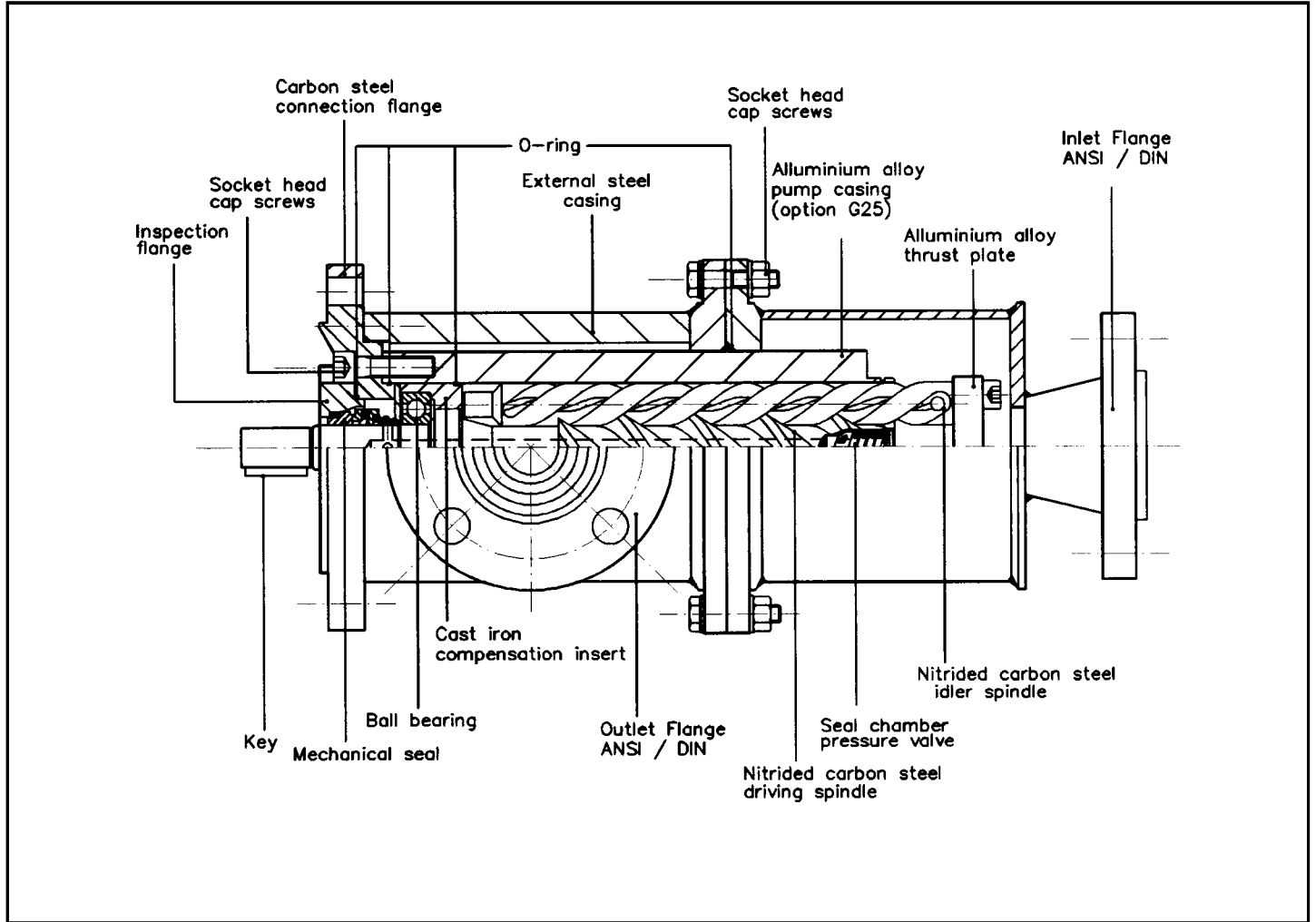
Main field of application: Industrial general purpose, low pressure range.



Dimensions in mm (unless otherwise stated)																			
Size	A	B	C	D	E	F	H	L	M	N	P	T	V	d1	d2	d3	d4	d5	d6
										SAE									
PEA072#3..H..	893	172	82	75	5	25	80	342	102	3"	4"	41.0	10	38	200	250	292	198	22
PEA083#3..H..	999	194	90	82	5	30	95	406	118	4"	5"	48.5	14	45	250	315	365	230	26



For hydraulic oils, lubricating oils. Admissible delivery pressure (continuous) = 40 bar at 2900 rpm. 30 bar at 1450 rpm

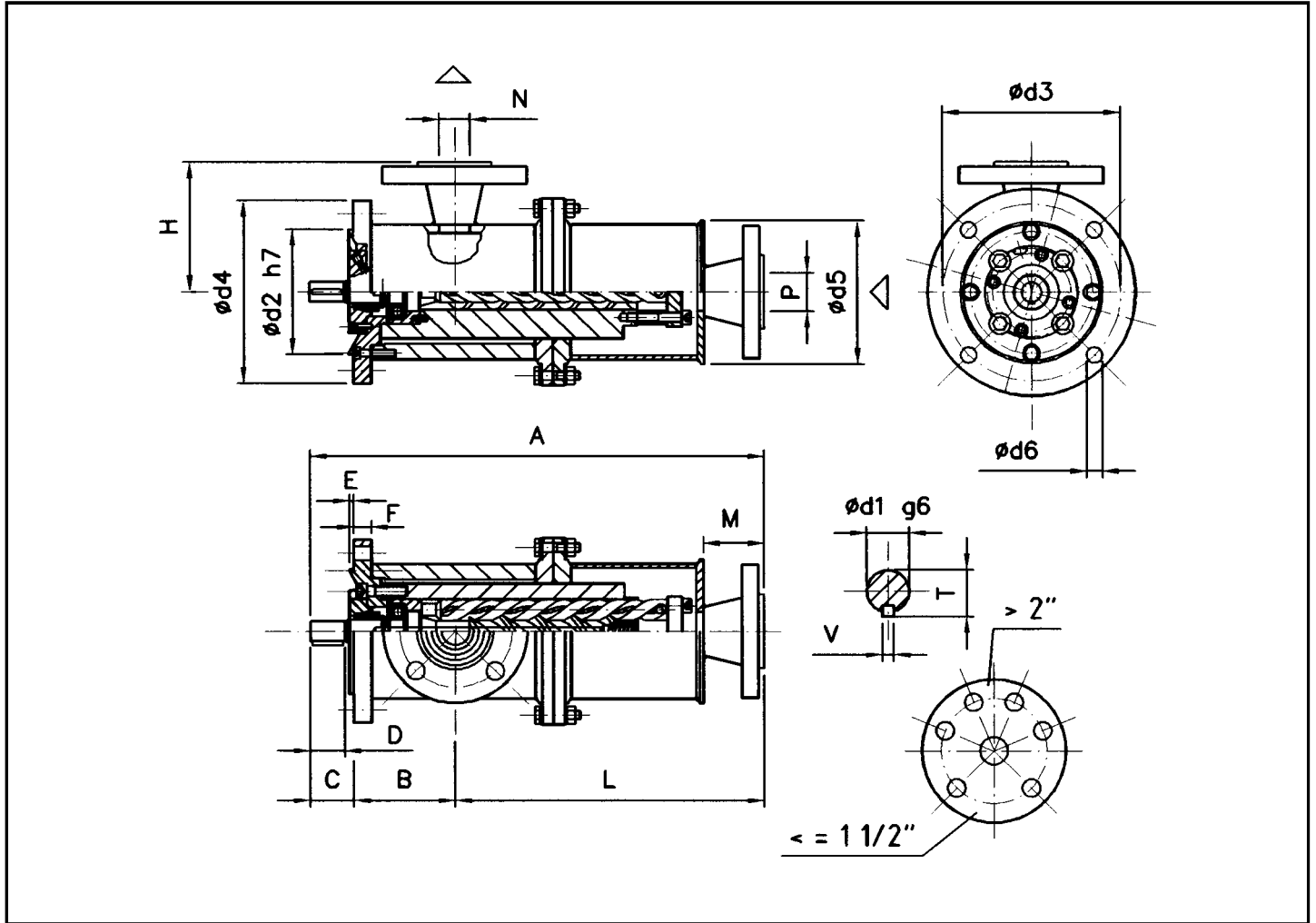


Functional Characteristics, Standard Version		
Delivery flow	10 to 1500 l/min	
Admissible delivery pressure*	upto 30 bar at 1450 rpm, 40 bar at 2900 rpm	
Admissible suction pressure	-0.5 to 10 bar	For different values contact jbj tech. dept.
Kinematics viscosity	10 to 400 cSt	For different values contact jbj tech. dept.
Admissible temperature	0° to 120°C	For different values contact jbj tech. dept.
Driving speed	750 to 3600 rpm	
Average noise level	65 - 75 dB(A) at 2900 rpm according to pump dimension	
Recommended filtration	60 micron max, suction side (not abrasive contaminant)	ISO4406 19/16- NAS10
Direction of rotation	clockwise, as seen from the driving side	
* Reduced pressure limits apply due to fluid viscosity and driving speed. Consult the performance charts for the individual pump size		

For different functional characteristics, please contact the jbj Techniques Ltd. technical department tel: 01737 767493 or email: info@jbj.co.uk.



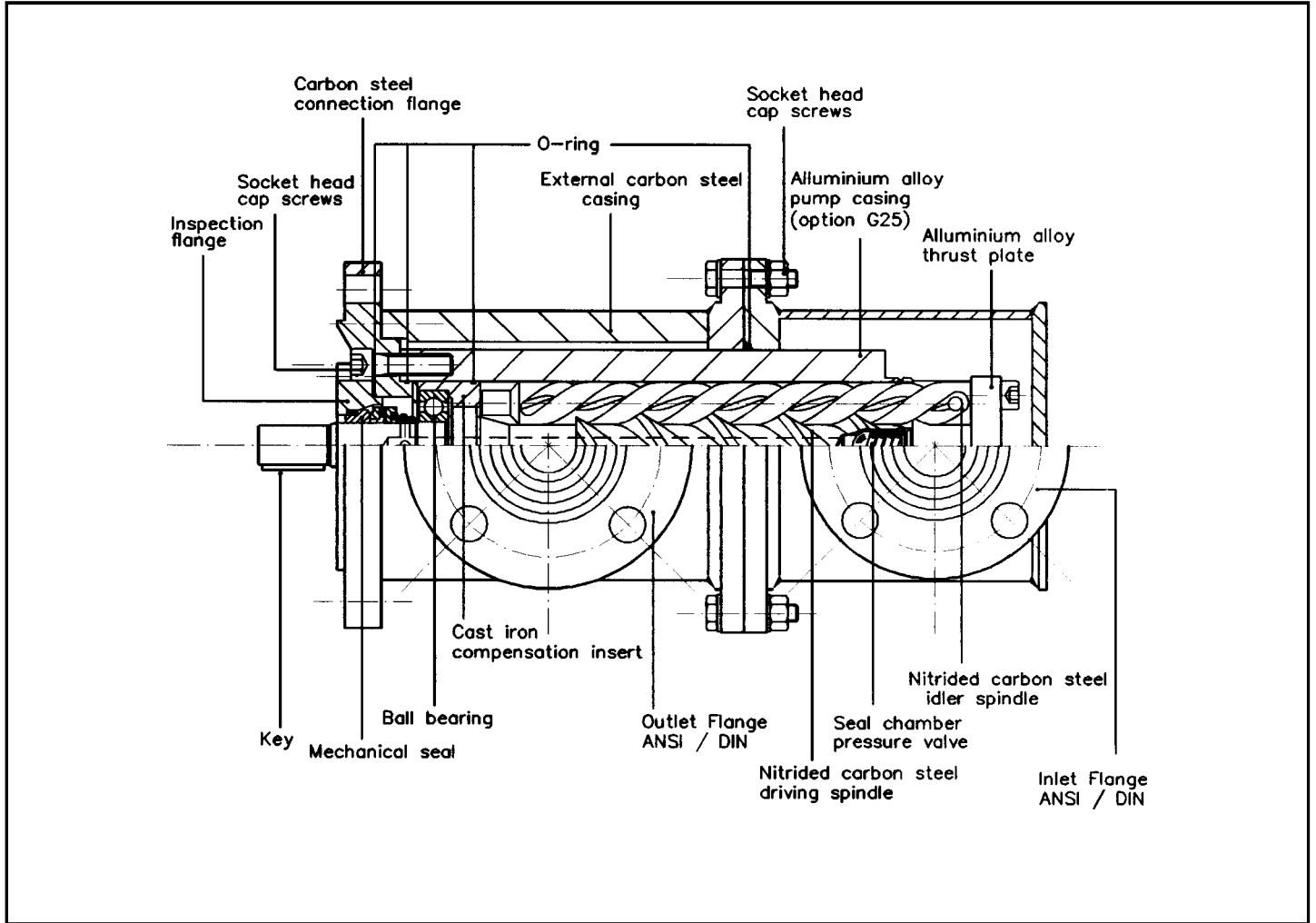
Main field of application: Pumps for lubrication systems and auxiliary cooling, with steel body. Customised versions and API 676 II ed



Dimensions in mm (unless otherwise stated)																			
Size	A	B	C	D	E	F	H	L	M	N	P	T	V	d1	d2	d3	d4	d5	d6
										ANSI 150 RF									
PC025#4..A..	439	101	42	35	5	16	118	264	56	1"	1"	21.5	6	19	125	160	188	133	14
PC029#4..A..	439	101	42	35	5	16	118	264	56	1"	1"	21.5	6	19	125	160	188	133	14
PC032#4..A..	445	101	42	35	5	16	118	302	62	1"	1 1/2"	21.5	6	19	125	160	188	133	14
PC040#4..A..	504	112	47	40	5	20	133	344	62	1 1/2"	1 1/2"	24.5	6	22	160	200	234	150	18
PC045#4..A..	557	126	47	40	5	23	125	384	63	1 1/2"	2"	27.0	8	24	160	200	234	168	18
PC055#4..A..	649	136	62	55	5	25	153	451	70	2"	3"	33.0	8	30	200	250	292	194	22
PC060#4..A..	726	151	62	55	5	28	150	468	70	3"	3"	35.0	10	32	200	250	292	219	22
PC072#3..A..	806	172	82	75	5	30	184	552	76	3"	4"	41.0	10	38	250	315	365	244	26
PC083#3..A..	934	194	90	82	5	36	202	650	89	4"	5"	48.5	14	45	250	315	365	273	26



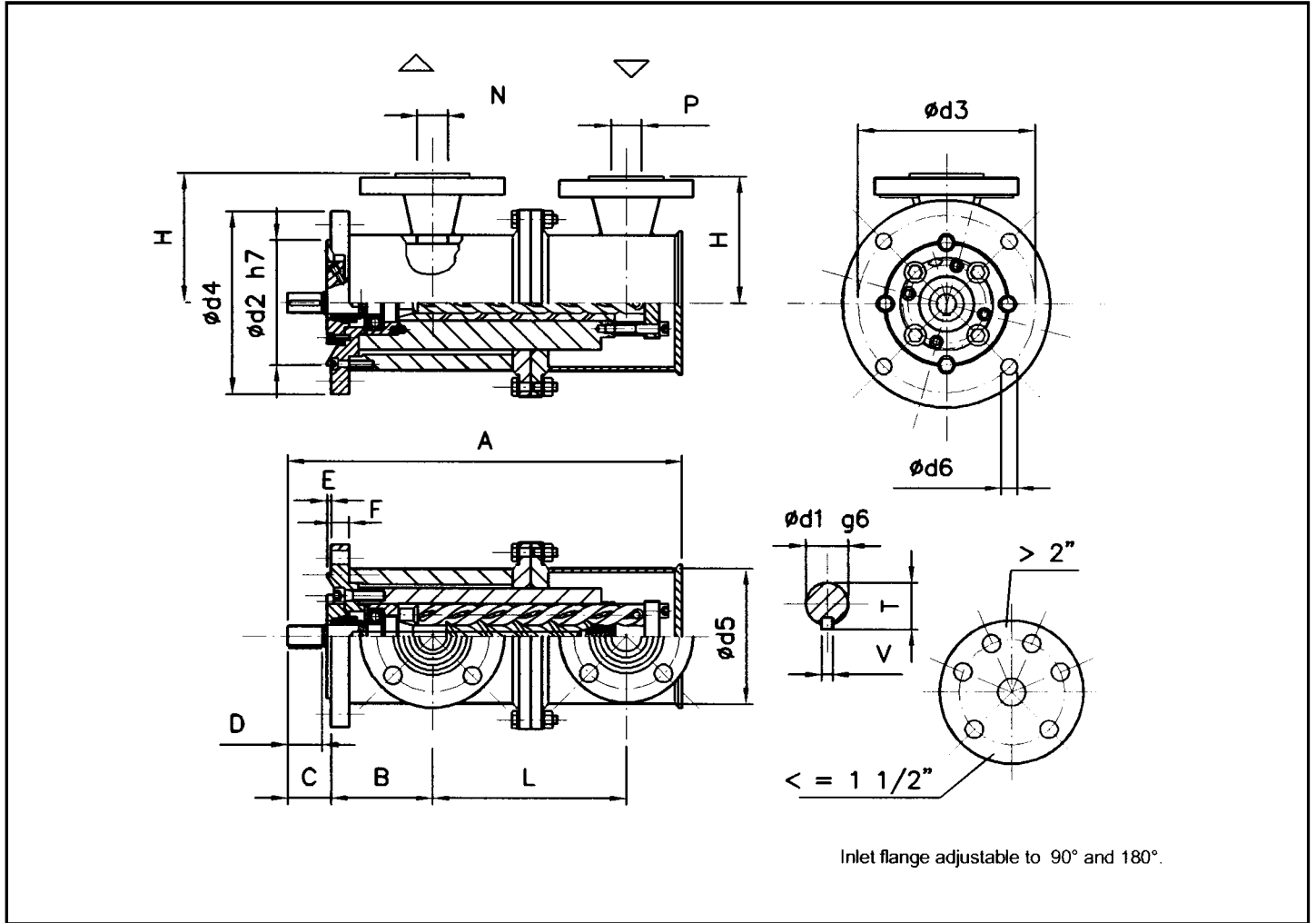
For hydraulic oils, lubricating oils. Admissible delivery pressure (continuous) = 40 bar at 2900 rpm. 30 bar at 1450 rpm



Functional Characteristics, Standard Version	
Delivery flow	10 to 1500 l/min
Admissible delivery pressure*	up to 30 bar at 1450 rpm, 40 bar at 2900 rpm
Admissible suction pressure*	-0.5 to 10 bar For different values contact jbj tech. dept.
Kinematics viscosity	10 to 400 cSt For different values contact jbj tech. dept.
Admissible temperature	0° to 120°C For different values contact jbj tech. dept.
Driving speed	750 to 3600 rpm
Average noise level	65 - 75 dB(A) at 2900 rpm according to pump dimension
Recommended filtration	60 micron max, suction side (not abrasive contaminant) ISO4406 19/16- NAS10
Direction of rotation	clockwise, as seen from the driving side
* Reduced pressure limits apply due to fluid viscosity and driving speed. Consult the performance charts for the individual pump size	



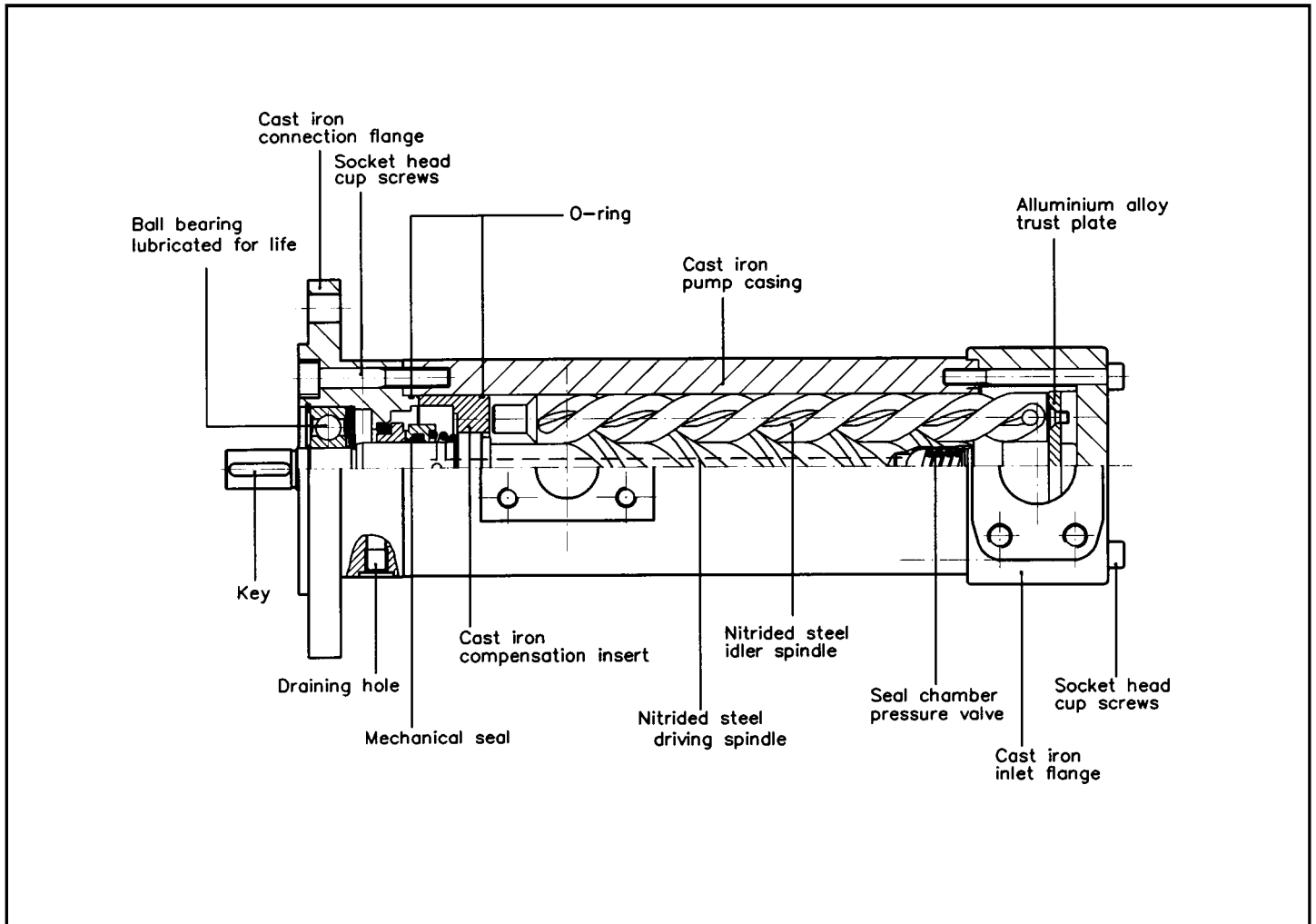
Main field of application: Pumps for lubrication systems and auxiliary cooling, with steel body. Customised versions and API 676 11 ed



Dimensions in mm (unless otherwise stated)																				
Size	A	B	C	D	E	F	H1	H2	L	M	ANSI 150 RF		T	V	d1	d2	d3	d4	d5	d6
											N	P								
PC025#4..R..	370	101	42	35	5	16	118	122	167	120	1"	1"	21.5	6	19	125	160	188	133	14
PC029#4..R..	370	101	42	35	5	16	118	122	167	120	1"	1"	21.5	6	19	125	160	188	133	14
PC032#4..R..	370	101	42	35	5	16	118	122	167	124	1"	1 1/2"	21.5	6	19	125	160	188	133	14
PC040#4..R..	429	112	47	40	5	20	133	133	209	133	1 1/2"	1 1/2"	24.5	6	22	160	200	234	150	18
PC045#4..R..	481	126	47	40	5	23	135	135	239	143	1 1/2"	2"	27.0	8	24	160	200	234	168	18
PC055#4..R..	560	136	62	55	5	25	153	154	278	157	2"	3"	33.0	8	30	200	250	292	198	22
PC060#4..R..	637	151	62	55	5	28	159	159	284	171	3"	3"	35.0	10	32	200	250	292	219	22
PC072#3..R..	711	172	82	75	5	30	184	184	326	186	3"	4"	41.0	10	38	250	315	365	244	26
PC083#3..R..	826	194	90	82	5	36	202	202	235	208	4"	5"	48.5	14	45	250	315	365	273	26



For fuel oils at low or high viscosity and lubricating oil at high and low temperature. Admissible delivery pressure (continuous) = 80 bar at 2900rpm

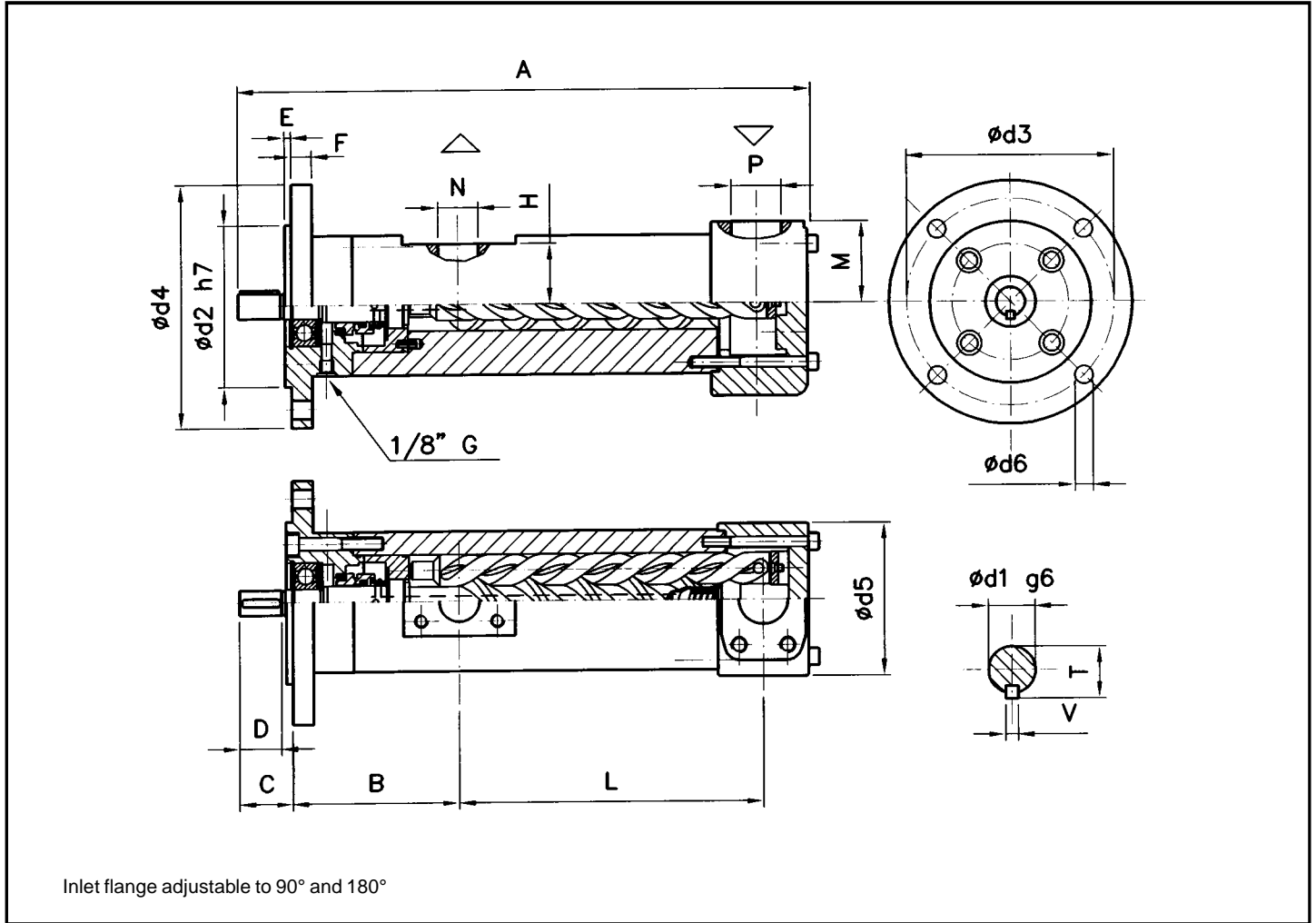


Functional Characteristics, Standard Version	
Delivery flow	20 to 1500 l/min
Admissible delivery pressure*	up to 80 bar continuous at 2900 rpm, 120 bar peak
Admissible suction pressure*	-0.5 to 10 bar For different values contact jbj tech. dept.
Kinematics viscosity	5 to 10 cSt typical and up to 400 cSt For different values contact jbj tech. dept.
Admissible temperature	0° to 120°C
Driving speed	750 to 3500 rpm (750 - 1450 rpm MAX up to 10 bar)
Average noise level	58 - 72 dB(A) at 2900 rpm according to pump dimension
Recommended filtration	40 micron max, suction side (not abrasive contaminant) ISO4406 18/15 - NAS9
Direction of rotation	clockwise, as seen from the driving side
* Reduced pressure limits apply due to fluid viscosity and driving speed. Consult the performance charts for the individual pump size	

For different functional characteristics, please contact the jbj Techniques Ltd. technical department tel: 01737 767493 or email: info@jbj.co.uk.



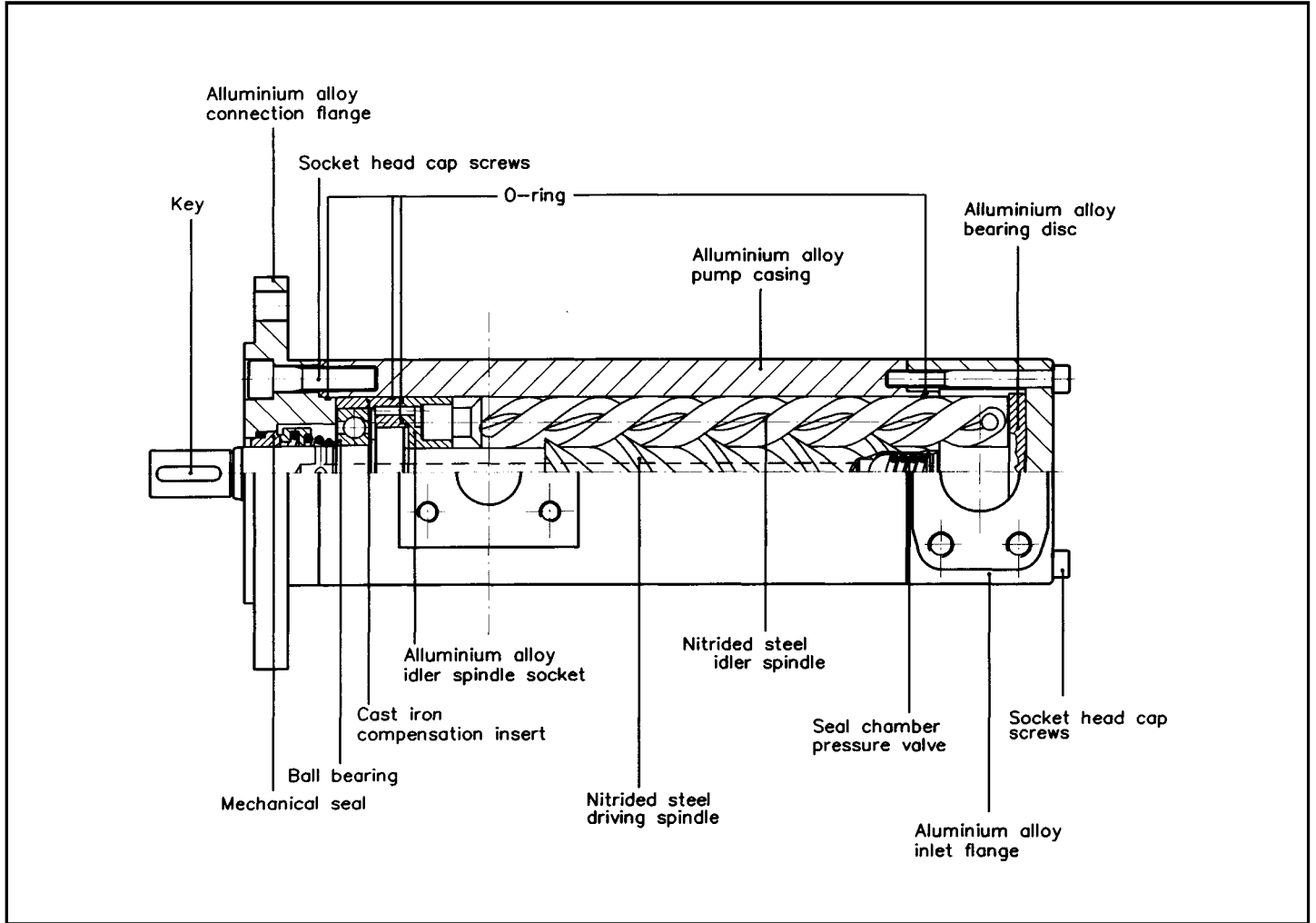
Main field of application: Burners - fuel supply line. Lubrication circuits at high temperature.



Dimensions in mm (unless otherwise stated)																			
Size	A	B	C	D	E	F	H	L	M	N	P	T	V	d1	d2	d3	d4	d5	d6
										SAE									
PH025#4...	347	120	42	35	5	14	40	150	55	1"	1 1/4"	21.5	6	19	100	125	150	105	11
PH029#4...	347	120	42	35	5	14	40	150	55	1"	1 1/4"	21.5	6	19	100	125	150	105	11
PH032#4...	377	120	42	35	5	14	40	180	55	1"	1 1/4"	21.5	6	19	100	125	150	105	11
PH040#4...	434	128	47	40	5	16	47	221	62	1 1/4"	1 1/2"	24.5	6	22	125	160	188	118	14
PH045#4...	484	142	47	40	5	18	53	251	68	1 1/2"	2"	27	8	24	125	160	188	131	14
PH055#4...	561	159	62	55	5	20	64	290	82	2"	2 1/2"	33	8	30	160	200	234	158	18
PH060#4...	635	172	62	55	5	23	69	343	89	2 1/2"	3"	35	10	32	160	200	234	172	18
PH072#4...	768	194	82	75	5	25	79	413	102	3"	4"	41	10	38	200	250	292	198	22
PH083#4...	884	212	90	82	5	30	95	490	118	3 1/2"	5"	48.5	14	45	250	315	365	230	26



For hydraulic oils, lubricating oils. Admissible delivery pressure (continuous) = 130 bar @ 29000 rpm.

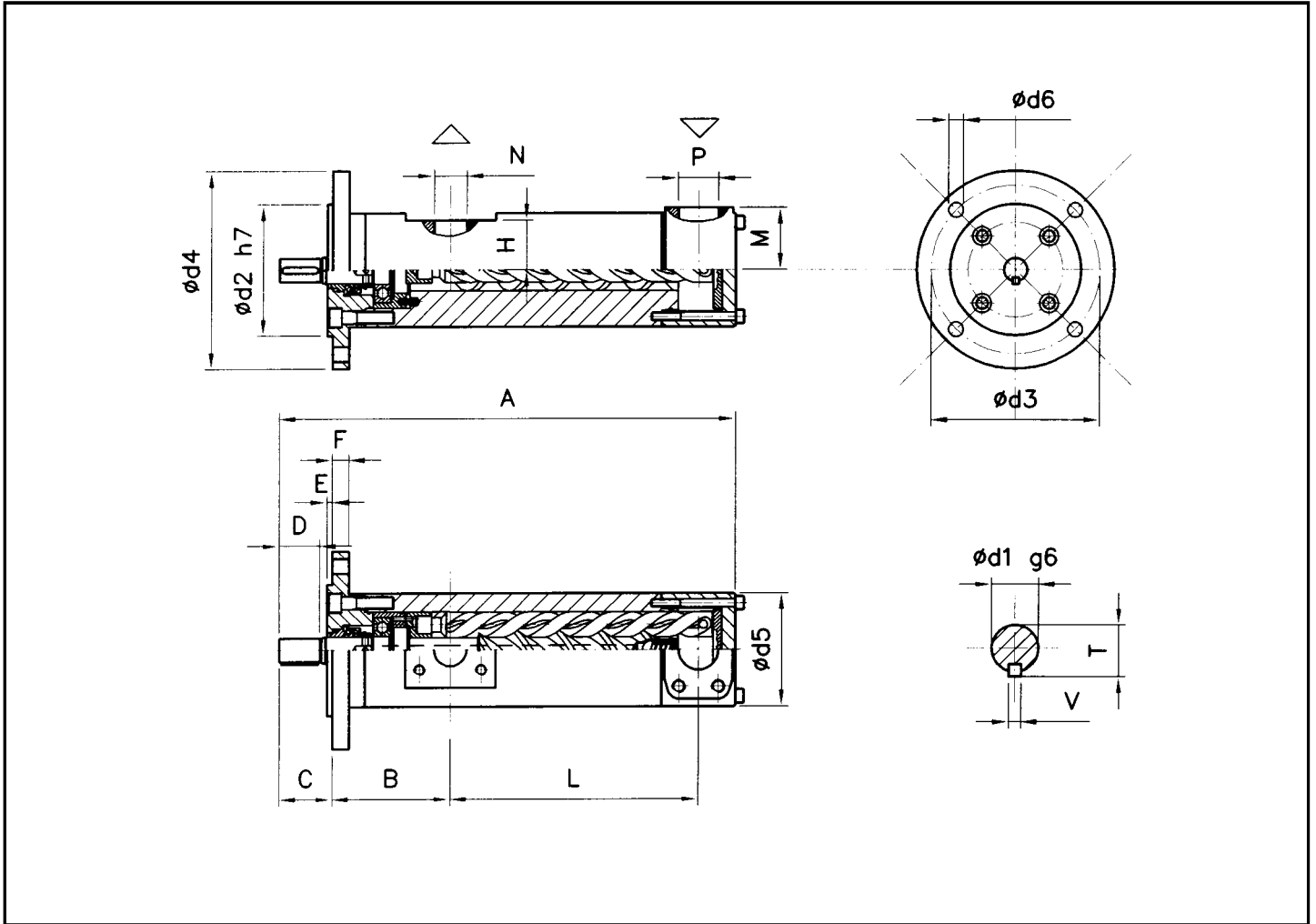


Functional Characteristics, Standard Version	
Delivery flow	10 to 390 l/min
Admissible delivery pressure*	up to 130 bar continuous, 200 bar peak at 2900 rpm.
Admissible suction pressure*	-0.5 to 10 bar For different values contact jbj tech. dept.
Kinematics viscosity	10 to 400 cSt For different values contact jbj tech. dept.
Admissible temperature	0° to 120°C For different values contact jbj tech. dept.
Driving speed	750 to 3600 rpm
Average noise level	62 - 70 dB(A) at 2900 rpm according to pump dimension
Recommended filtration	40 micron max, suction side (not abrasive contaminant) ISO4406 18/15 - NAS9
Direction of rotation	clockwise, as seen from the driving side
* Reduced pressure limits apply due to fluid viscosity and driving speed. Consult the performance charts for the individual pump size	

For different functional characteristics, please contact the jbj Techniques Ltd. technical department tel: 01737 767493 or email: info@jbj.co.uk.



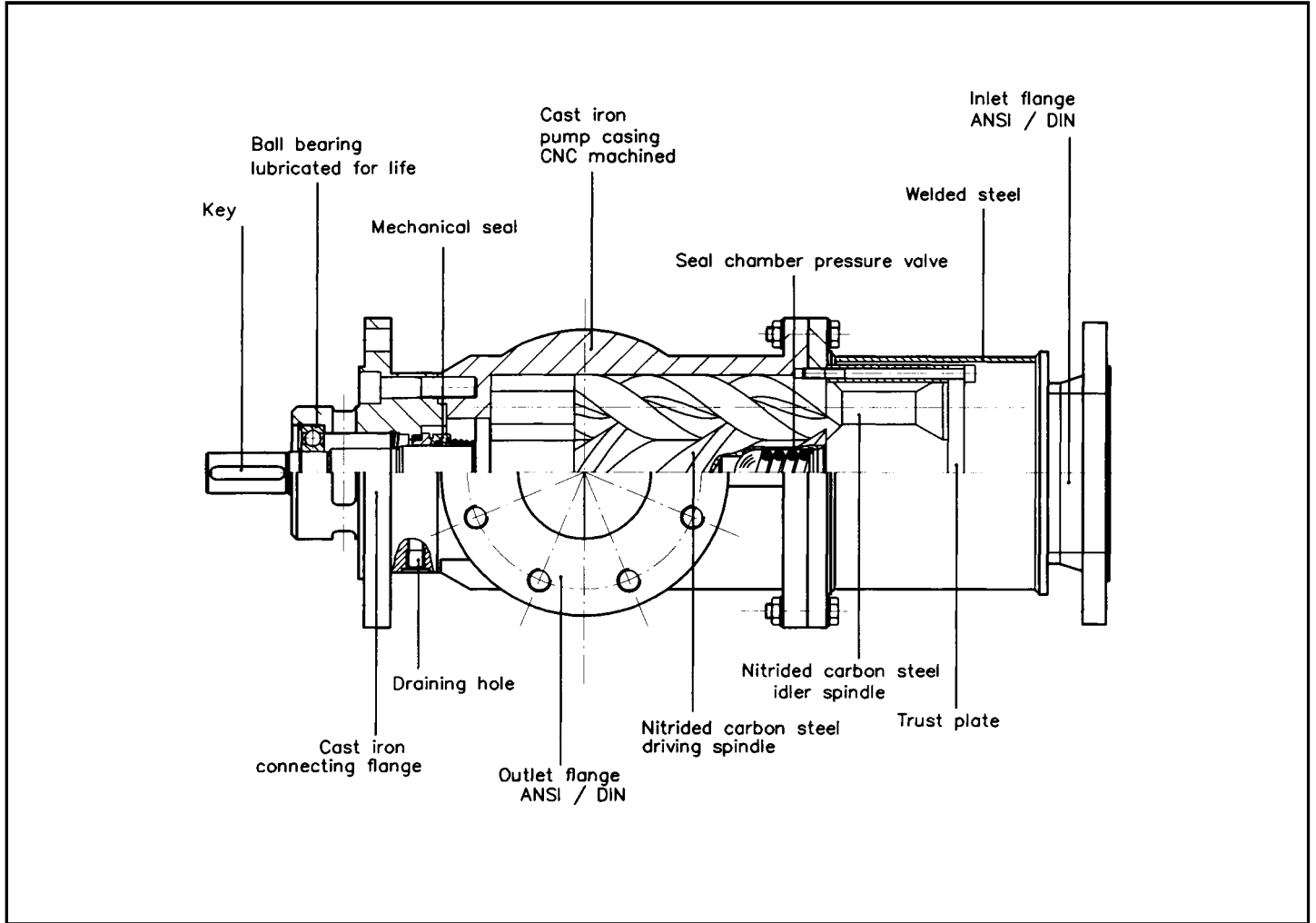
Main field of application: Industrial general purpose, high pressure range.



Dimensions in mm (unless otherwise stated)																			
Size	A	B	C	D	E	F	H	L	M	N	P	T	V	d1	d2	d3	d4	d5	d6
										SAE									
PF025#6...	367	101	42	35	5	14	40	187	53	1"	1 1/4"	21.5	6	19	100	125	150	95	11
PF029#6...	367	101	42	35	5	14	40	187	53	1"	1 1/4"	21.5	6	19	100	125	150	95	11
PF032#6...	411	101	42	35	5	14	40	231	53	1"	1 1/4"	21.5	6	19	100	125	150	95	11
PF040#6...	484	112	47	40	5	16	47	289	59	1 1/4"	1 1/2"	27.0	8	24	125	160	188	108	14
PF045#6...	542	126	47	40	5	18	52	329	63	1 1/2"	2"	31.0	8	28	125	160	188	121	14
PF055#6...	628	136	62	55	5	20	60	380	76	2"	2 1/2"	35.0	10	32	160	200	234	148	18



For hydraulic oils, lubricating oils. Admissible delivery pressure (continuous) = 30 bar at 1450 rpm

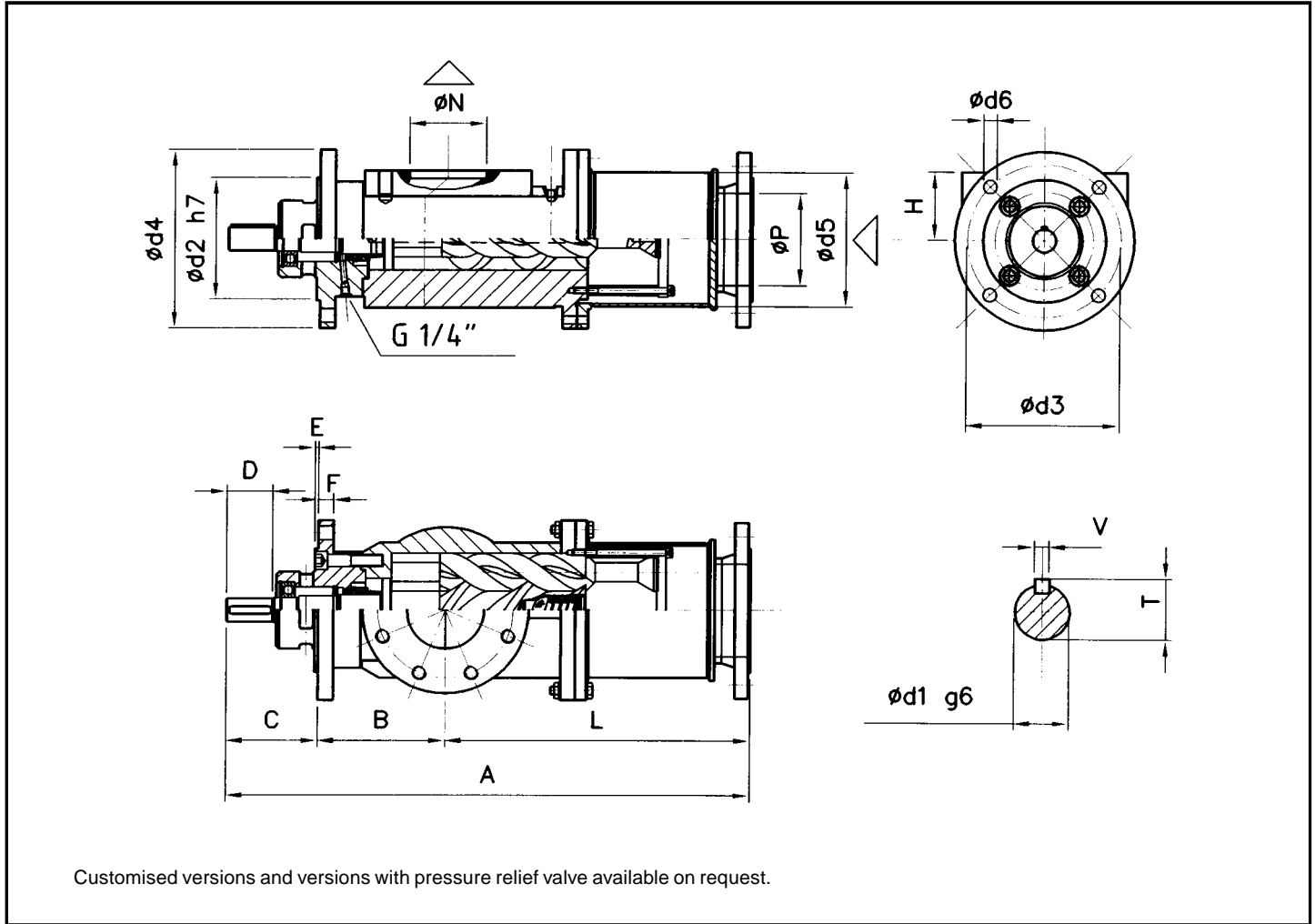


Functional Characteristics, Standard Version	
Delivery flow	500 to 5000 l/min
Admissible delivery pressure*	up to 30 bar continuous, 40 bar peak at 1450 rpm
Admissible suction pressure	-0.5 to 10 bar For different values contact jbj tech. dept.
Kinematics viscosity	10 to 400 cSt For different values contact jbj tech. dept.
Admissible temperature	0° to 120°C For different values contact jbj tech. dept.
Driving speed	750 to 1800 rpm
Average noise level	65 - 75 dB(A) at 1450 rpm according to pump dimension
Recommended filtration	60 micron maximum, suction side (not abrasive contaminant) ISO4406 19/16 - NAS10
Direction of rotation	clockwise, as seen from the driving side
* Reduced pressure limits apply due to fluid viscosity and driving speed. Consult the performance charts for the individual pump size	

For different functional characteristics, please contact the jbj Techniques Ltd. technical department tel: 01737 767493 or email: info@jbj.co.uk.



Main field of application: Large delivery flow pumps in auxiliary cooling or lubrication systems.

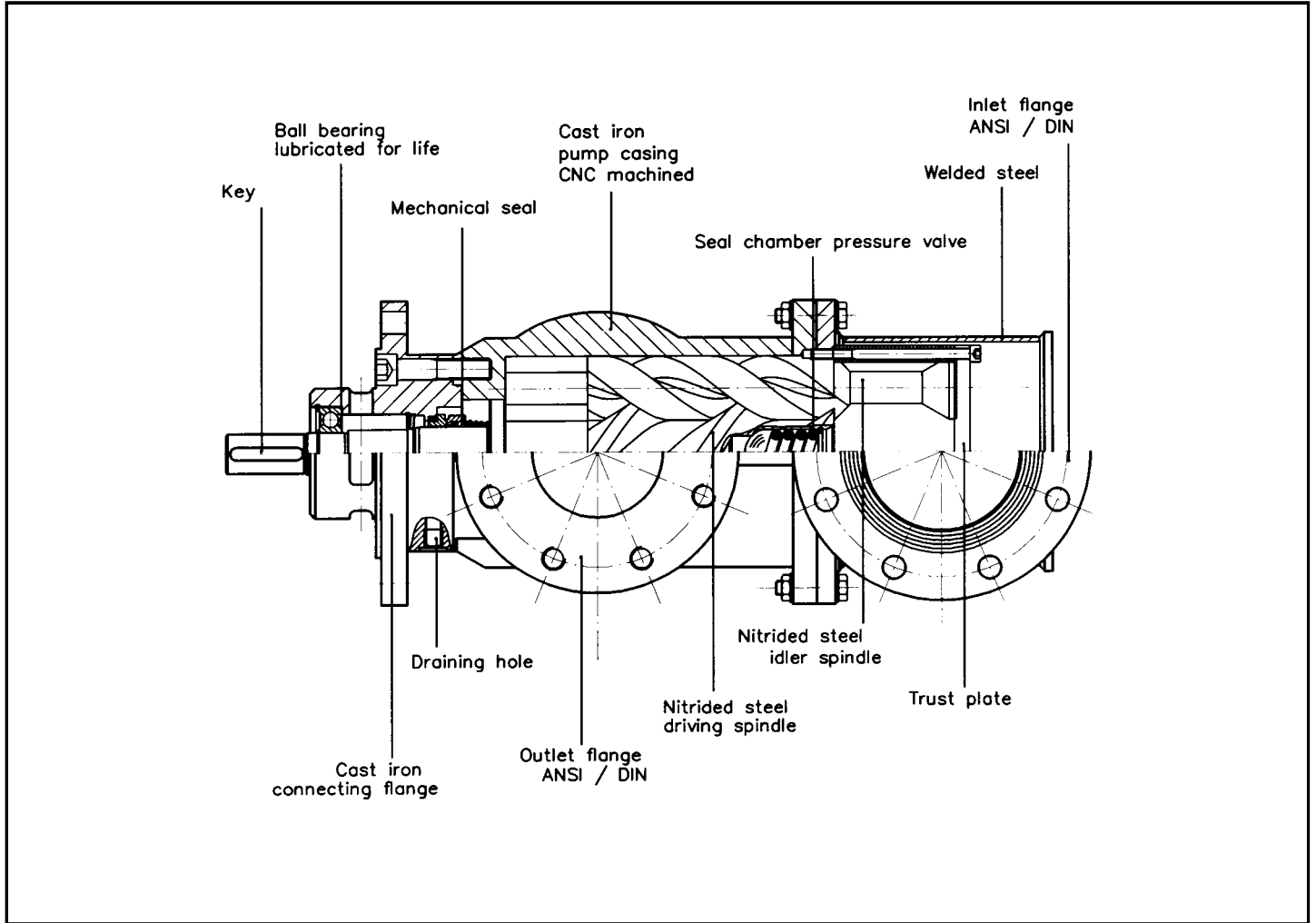


Customised versions and versions with pressure relief valve available on request.

Dimensions in mm (unless otherwise stated)																		
Size	A	B	C	D	E	F	H	L	N	P	T	V	d1	d2	d3	d4	d5	d6
PU102#3..A..	966	207	148	77	5	25	112	611	DN 125 PN40	DN 200 PN16	41	10	38	200	250	292	219	22
PU126#3..A..	1137	225	158	83	5	30	130	754	DN 200 PN40	D 200 PN16	45	12	42	250	315	365	273	26
PU156#3..A..	1495	272	200	110	5	30	160	1023	DN 200 PN40	DN250 PN10	59	16	59	250	315	365	368	26



For hydraulic oils, lubricating oils. Admissible delivery pressure (continuous) = 30 bar at 1450 rpm

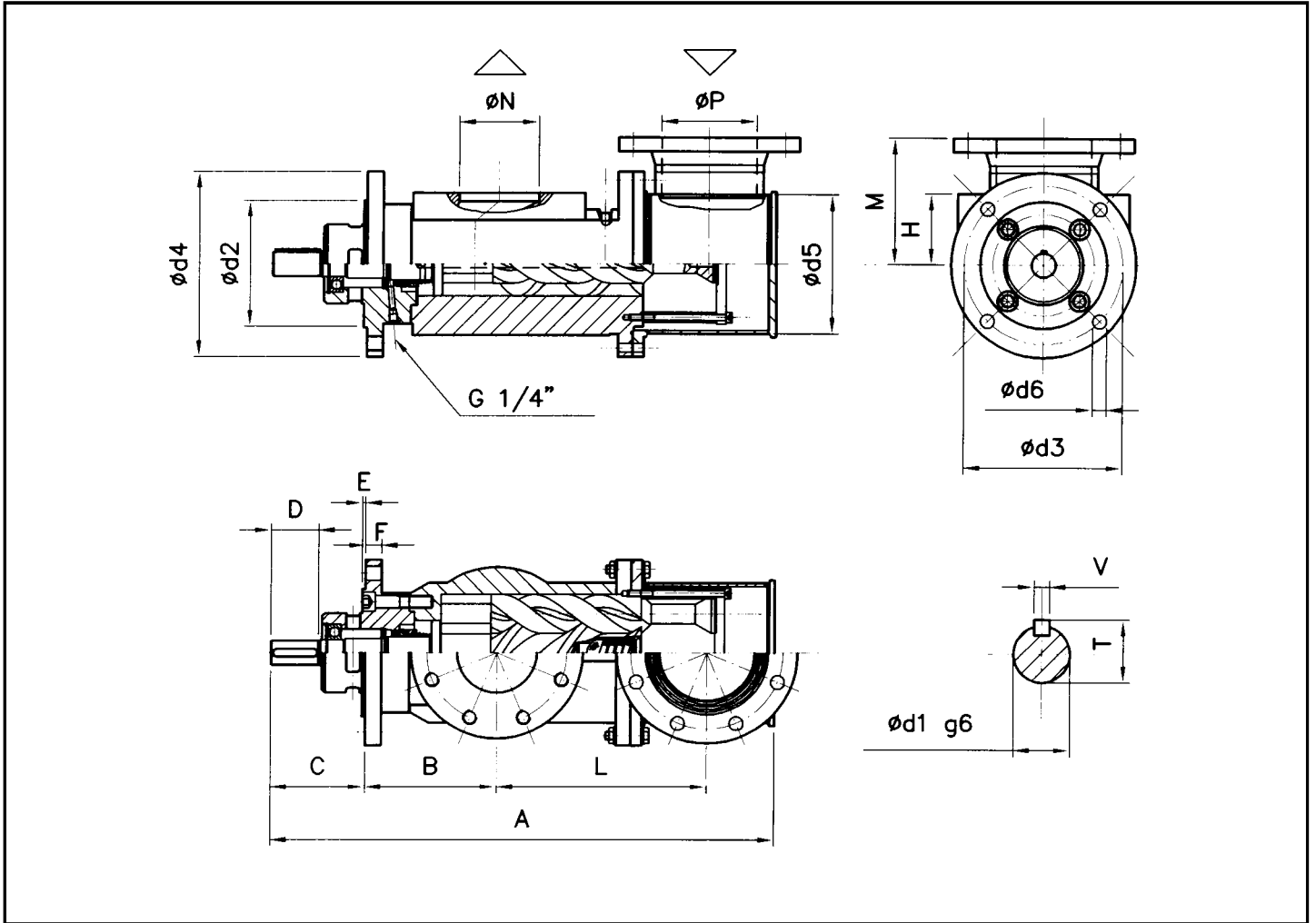


Functional Characteristics, Standard Version	
Delivery flow	500 to 5000 l/min
Admissible delivery pressure*	up to 30 bar continuous, 40 bar peak at 1450 rpm
Admissible suction pressure	-0.5 to 10 bar For different values contact jbj tech. dept.
Kinematics viscosity	10 to 400 cSt For different values contact jbj tech. dept.
Admissible temperature	0° to 120°C For different values contact jbj tech. dept.
Driving speed	750 to 1800 rpm
Average noise level	65 - 75 dB(A) at 1450 rpm according to pump dimension
Recommended filtration	60 micron maximum, suction side (not abrasive contaminant) ISO4406 19/16 - NAS10
Direction of rotation	clockwise, as seen from the driving side
* Reduced pressure limits apply due to fluid viscosity and driving speed. Consult the performance charts for the individual pump size	

For different functional characteristics, please contact the jbj Techniques Ltd. technical department tel: 01737 767493 or email: info@jbj.co.uk.



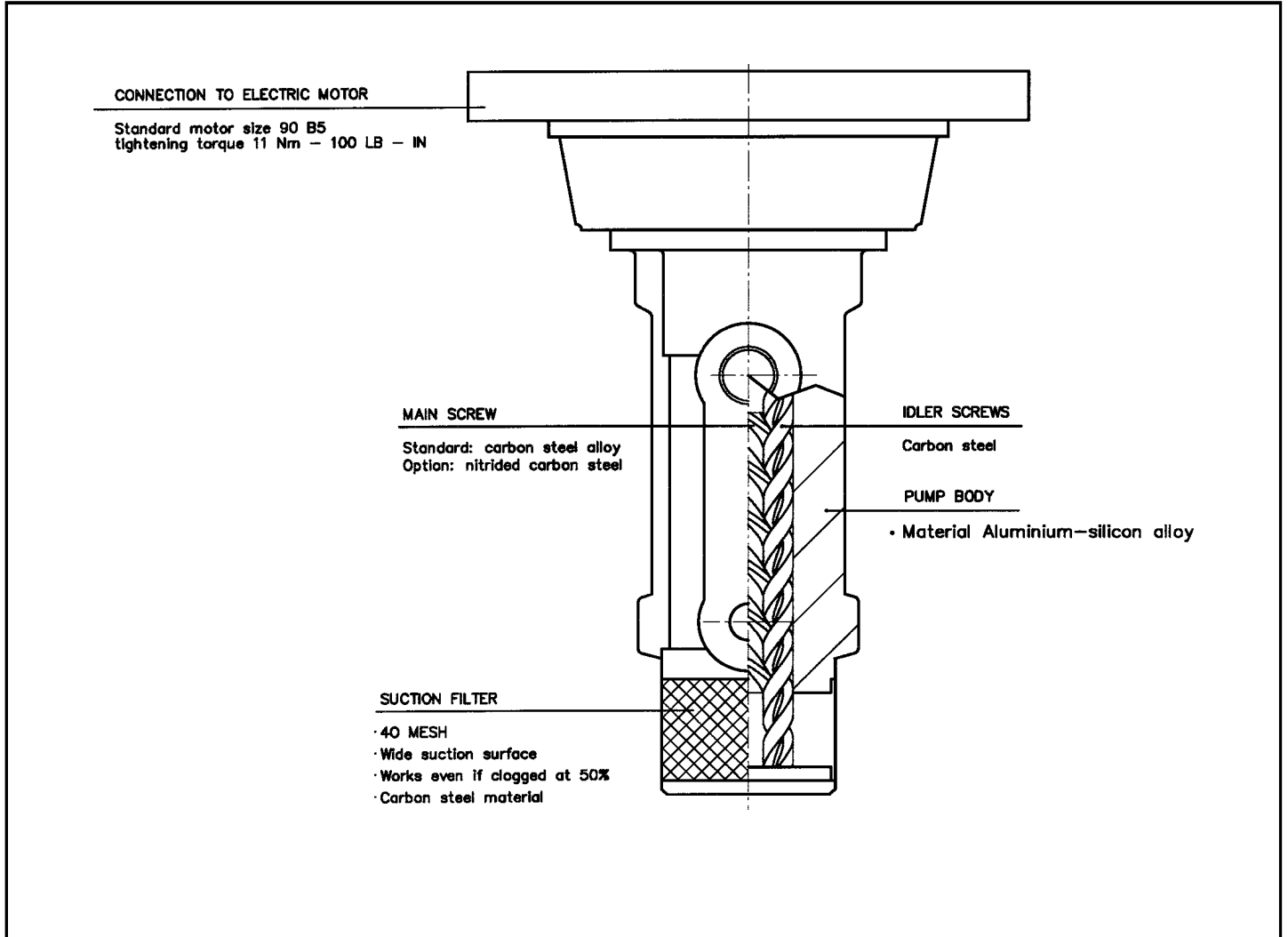
Main field of application: Large delivery flow pumps in auxiliary cooling or lubrication systems.



Dimensions in mm (unless otherwise stated)																			
Size	A	B	C	D	E	F	H	L	M	N	P	T	V	d1	d2	d3	d4	d5	d6
PU102#3..R..	911	207	148	77	5	25	112	450	200	DN 125 PN40	DN 150 PN16	41	10	38	200	250	292	219	22
PU126#3..R..	1074	225	158	83	5	30	130	558	240	DN 150 PN40	D 200 PN16	45	12	42	250	315	365	273	26
PU156#3..R..	1425	272	200	110	5	30	160	783	340	DN 200 PN40	DN250 PN10	59	16	55	250	315	365	368	26



For hydraulic oils, lubricating oils. Admissible delivery pressure 75 bar at 2900 rpm

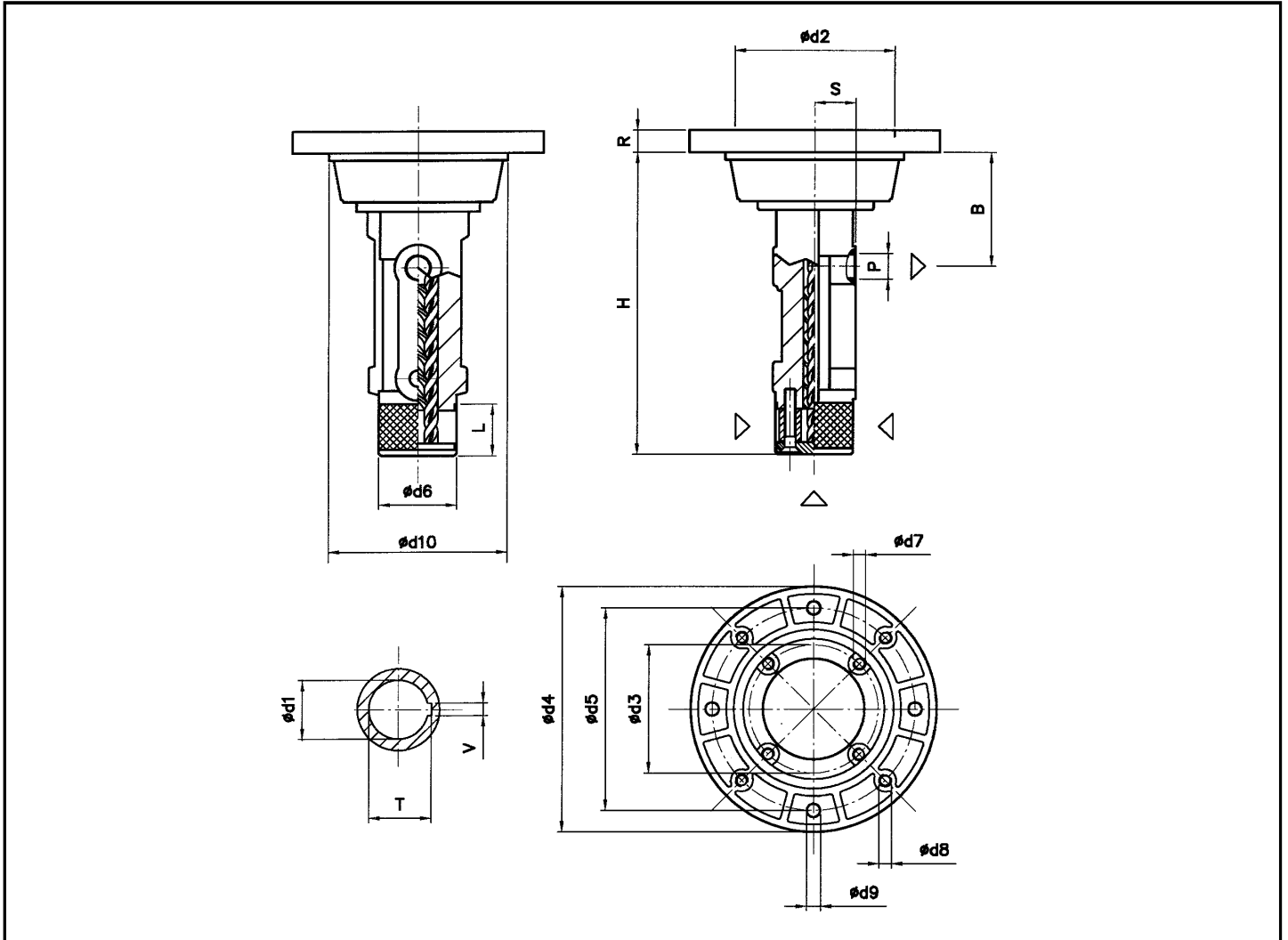


Functional Characteristics, Standard Version	
Delivery flow	3 to 33 l/min
Admissible delivery pressure*	up to 75 bar continuous, 120 bar peak at 2900 rpm
Admissible suction pressure*	submerged in oil
Kinematics viscosity	10 to 400 cSt For different values contact jbj tech. dept.
Admissible temperature	0° to 120°C For different values contact jbj tech. dept.
Driving speed	750 to 3600 rpm
Average noise level	56 dB(A) at 2900 rpm
Recommended filtration	60 micron max, suction side (not abrasive contaminant) ISO4406 18/15- NAS9
Direction of rotation	clockwise, as seen from the driving side
* Reduced pressure limits apply due to fluid viscosity and driving speed. Consult the performance charts for the individual pump size	

For different functional characteristics, please contact the jbj Techniques Ltd. technical department tel: 01737 767493 or email: info@jbj.co.uk.



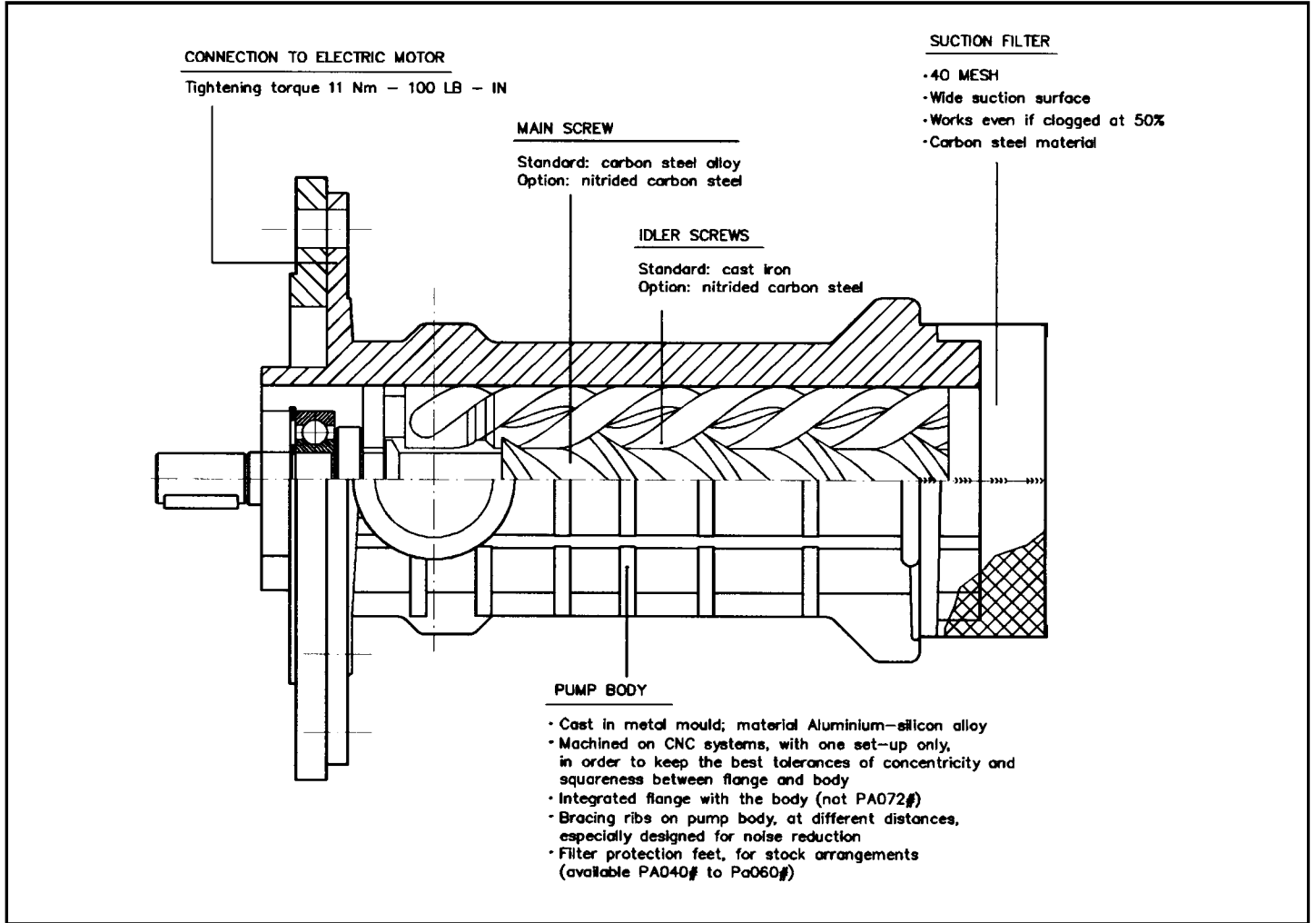
Main field of application: Oil submerged pump for hydraulic power packs.



Dimensions in mm (unless otherwise stated)																		
Size	B	H	L	P	R	S	T	V	d1	d2	d3	d4	d5	d6	d7	d8	d9	d10
				Gas														
PA018#6...	93	246	42	1/2"	18	33.5	27	8	24	130	105	200	165	63	M10	M10	10.5	140
PA025#4...																		



For hydraulic oils, lubricating oils. Admissible delivery pressure (continuous) = 50 bar at 2900 rpm. ISO 3019/2 motor connection.

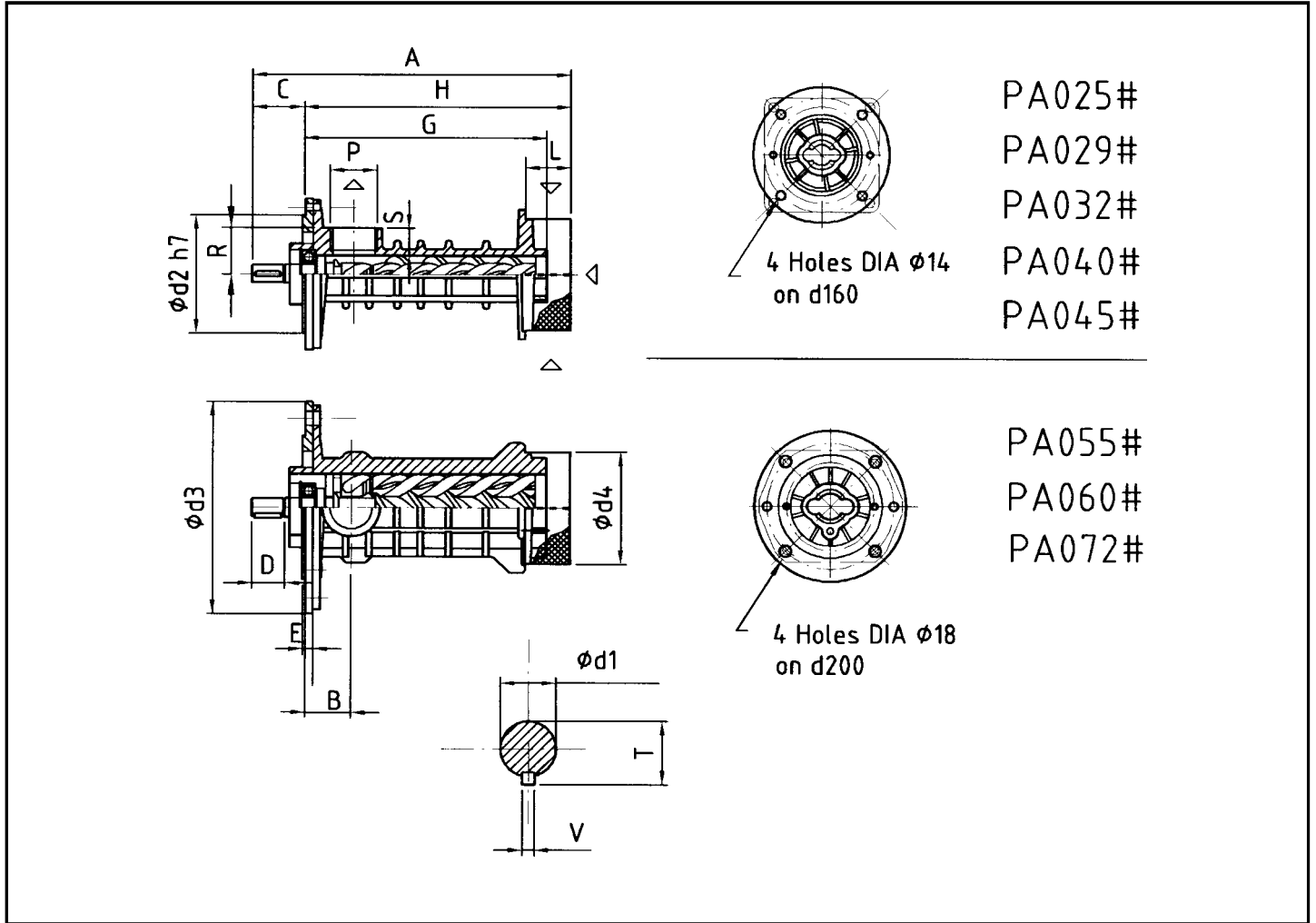


Functional Characteristics, Standard Version	
Delivery flow	10 to 850 l/min
Admissible delivery pressure*	up to 50 bar continuous, 75 bar peak at 2900 rpm
Admissible suction pressure	submerged in oil
Kinematics viscosity	10 to 400 cSt For different values contact jbj tech. dept.
Admissible temperature	0° to 100°C For different values contact jbj tech. dept.
Driving speed	750 to 3600 rpm
Average noise level	58 - 68 dB(A) at 2900 rpm according to pump dimension
Recommended filtration	60 micron max, suction side (not abrasive contaminant) ISO4406 19/16- NAS10
Direction of rotation	clockwise, as seen from the driving side
* Reduced pressure limits apply due to fluid viscosity and driving speed. Consult the performance charts for the individual pump size	

For different functional characteristics, please contact the jbj Techniques Ltd. technical department tel: 01737 767493 or email: info@jbj.co.uk.



Main field of application: Pump submersible into tank for lubrication systems, auxiliary filtration system, cooling system.



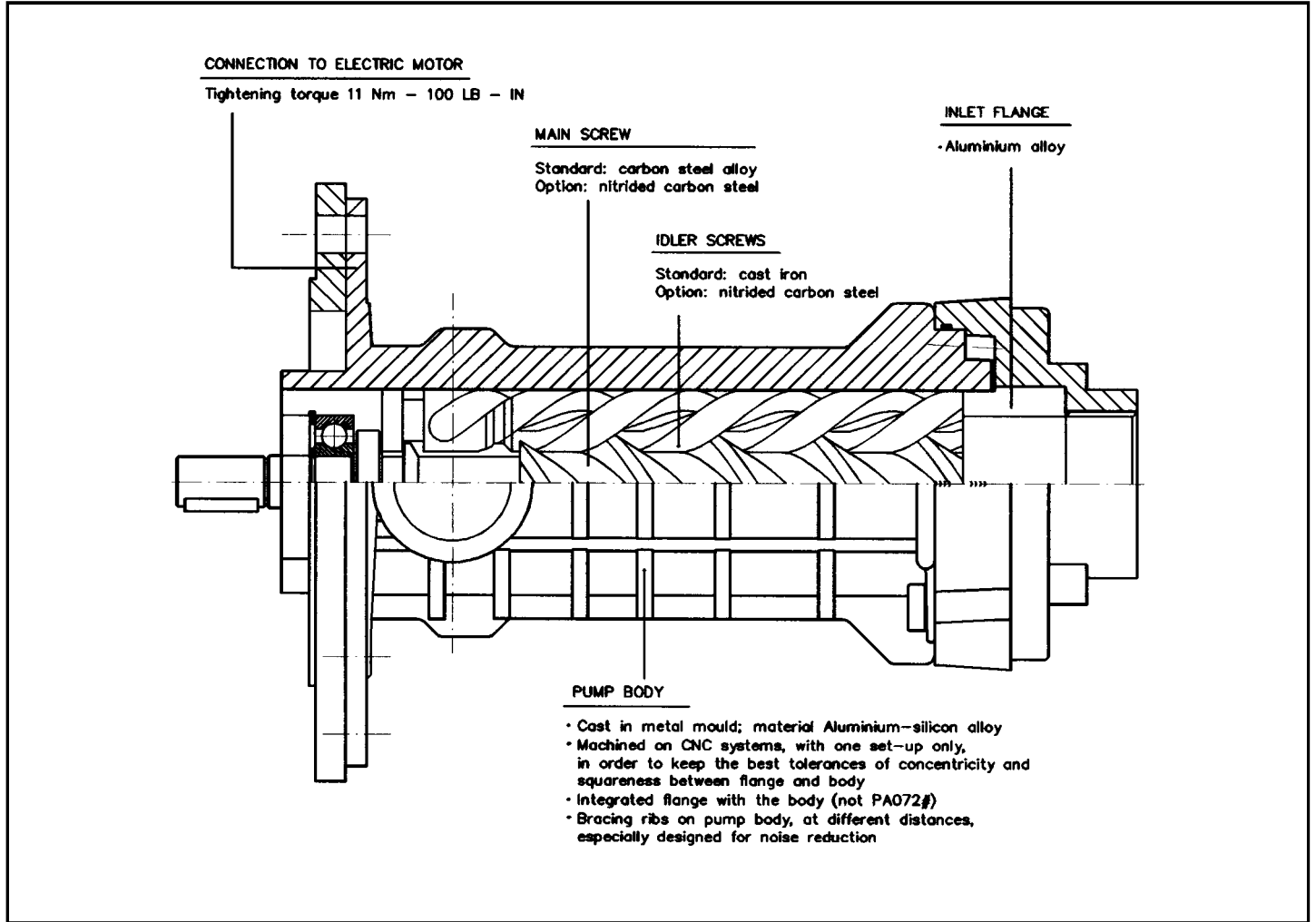
PA025#
PA029#
PA032#
PA040#
PA045#

PA055#
PA060#
PA072#

Dimensions in mm (unless otherwise stated)																	
Size	A	B	C	D	E	G	H	L	P	R	S	T	V	d1	d2	d3	d4
									GAS								
PA025#6.OM	299	68	42	35	22	229	256	30	1"	44	24	21.5	6	19	125	188	83
PA029#6.OM	299	68	42	35	22	229	256	30	1"	44	24	21.5	6	19			83
PA032#4.OM	299	68	42	35	22	229	256	30	1"	44	24	21.5	6	19			83
PA040#4.OM	342	68	42	35	22	272	299	50	1"	50	24	21.5	6	19			123
PA045#4.OM	363	68	48	40	22	297	314	65	1½"	50	20	27.0	10	24			123
PA055#4.OM	425	86	63	55	22	337	358	50	1½"	60	28	35.0	10	32	160	234	162
PA060#4.OM	464	86	63	57	22	390	401	50	2"	60	28	35.0	10	32			162
PA072#4.OM	563	112	63	63	22	452	500	130	2"	72	30	41.0	10	38			190



For hydraulic oils, lubricating oils. Admissible delivery pressure (continuous) = 50 bar at 2900 rpm. ISO 3019/2 motor connection.

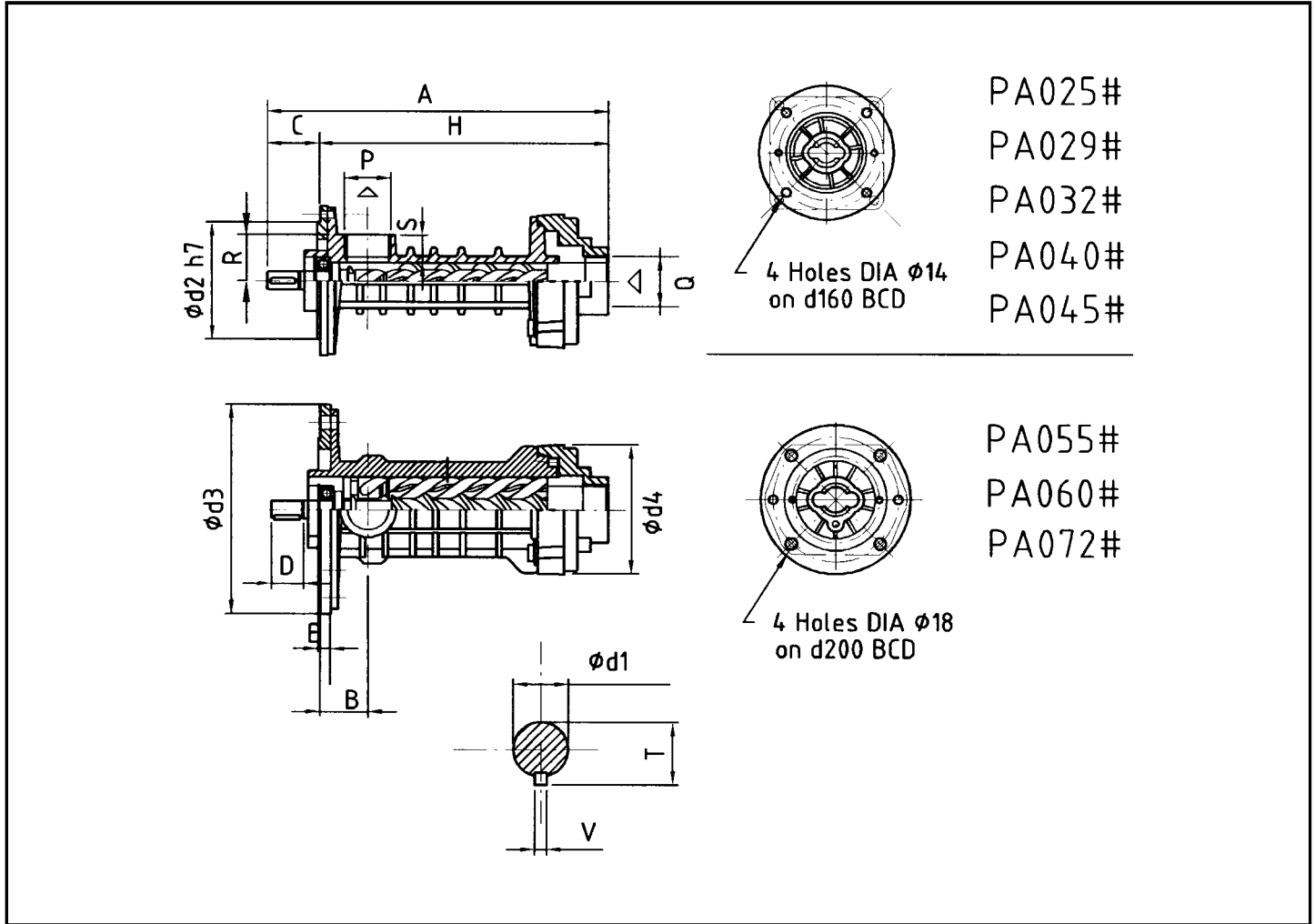


Functional Characteristics, Standard Version	
Delivery flow	10 to 850 l/min
Admissible delivery pressure*	up to 50 bar continuous, 75 bar peak at 2900 rpm
Admissible suction pressure*	-0.4 to 2 bar For different values contact jbj tech. dept.
Kinematics viscosity	10 to 400 cSt For different values contact jbj tech. dept.
Admissible temperature	0° to 100°C For different values contact jbj tech. dept.
Driving speed	750 to 3600 rpm
Average noise level	56 - 68 dB(A) at 2900 rpm according to pump dimension
Recommended filtration	60 micron max, suction side (not abrasive contaminant) ISO4406 19/16- NAS10
Direction of rotation	clockwise, as seen from the driving side
* Reduced pressure limits apply due to fluid viscosity and driving speed. Consult the performance charts for the individual pump size	

For different functional characteristics, please contact the jbj Techniques Ltd. technical department tel: 01737 767493 or email: info@jbj.co.uk.



Main field of application: Submersible pump for lubrication systems, auxiliary filtration systems, cooling systems.



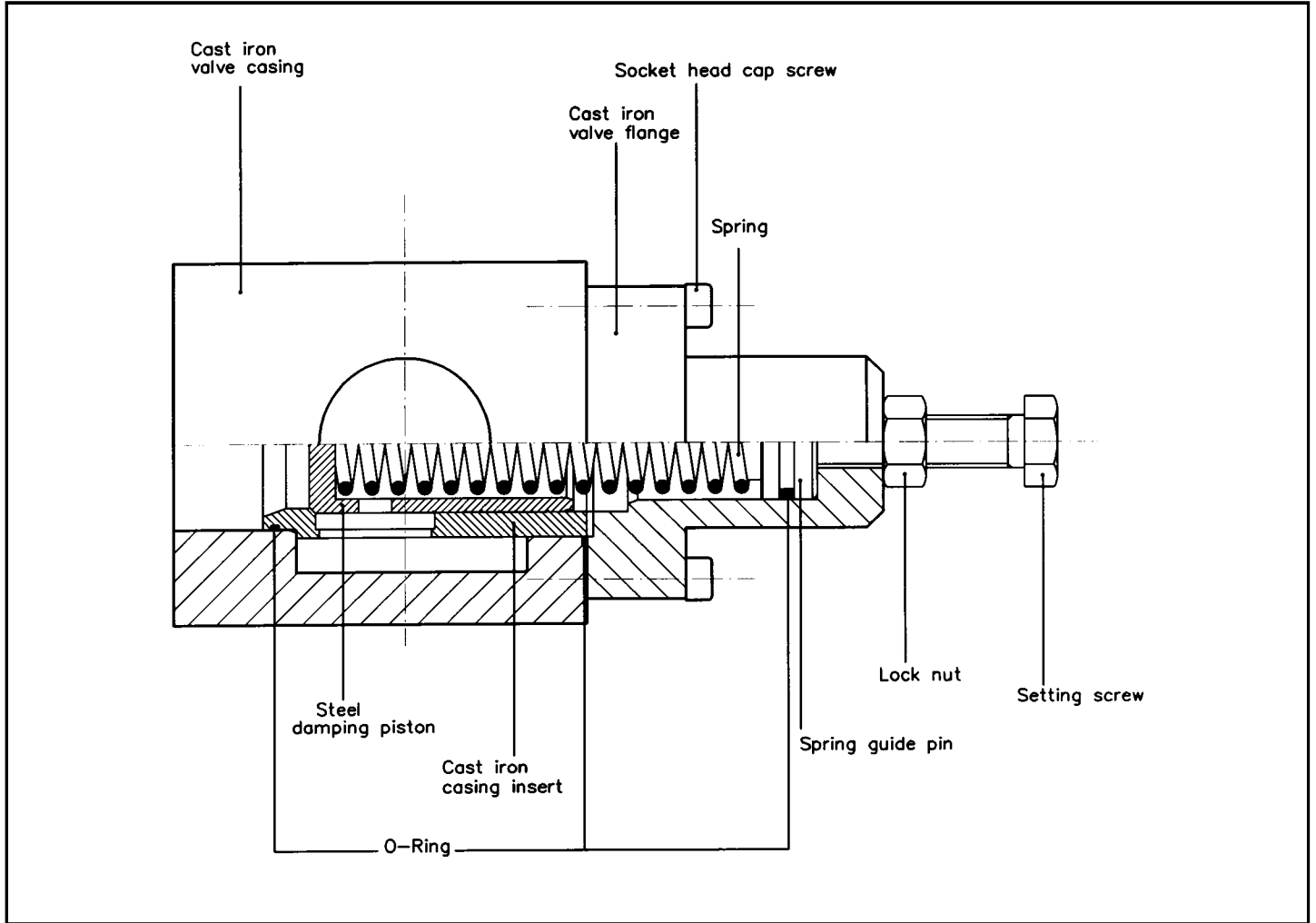
PA025#
PA029#
PA032#
PA040#
PA045#

PA055#
PA060#
PA072#

Dimensions in mm (unless otherwise stated)																
Size	A	B	C	D	E	H	P	Q	R	S	T	V	d1	d2	d3	d4
							GAS									
PA025#6.0T	318	68	42	35	22	276	1"	1 1/4"	44	24	21.5	6	19	125	188	81
PA029#6.0T	318	68	42	35	22	276	1"	1 1/4"	44	24	21.5	6	19			81
PA032#4.0T	318	68	42	35	22	276	1"	1 1/4"	44	24	21.5	6	19			81
PA040#4.0T	372	68	42	35	22	330	1"	2"	50	24	21.5	6	19			149
PA045#4.0T	378	68	48	40	22	330	1 1/2"	2"	50	27	27.0	10	24			149
PA055#4.0T	470	86	63	55	22	407	1 1/2"	3"	60	28	35.0	10	32	160	234	190
PA060#4.0T	514	86	63	57	22	451	2"	3"	60	30	35.0	10	32			190
PA072#4.0T	600	112	63	63	22	537	2"	4"	72	30	41.0	10	38			250

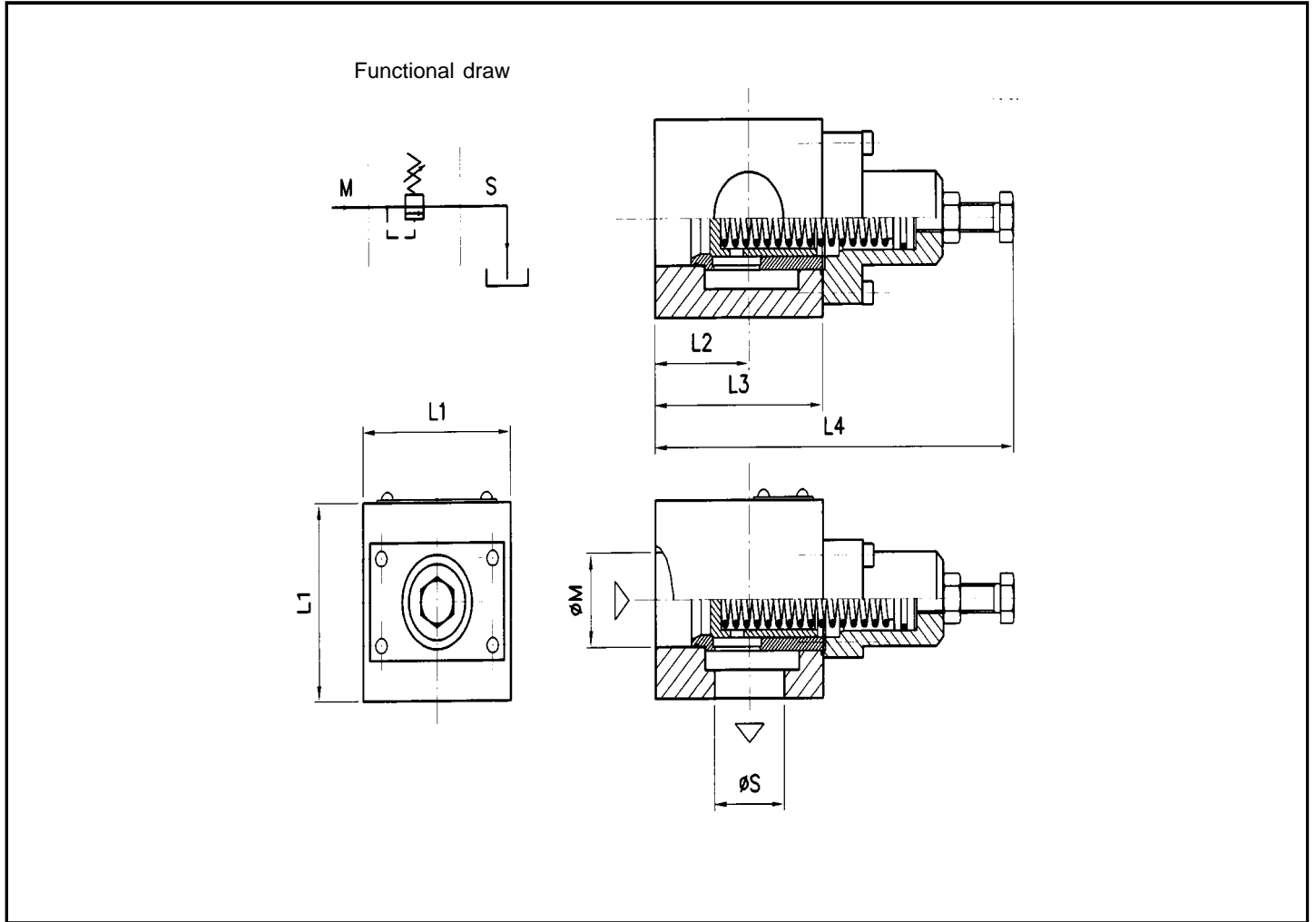


For hydraulic oils, lubricating oils, fuel oils and cooling lubricants emulsions.



Functional Characteristics, Standard Version	
Delivery flow	30 - 1200 l/min
Maximum pressure*	see dimensional chart
Kinematics viscosity	10 to 400 cSt For different values contact jbj tech. dept.
Admissible temperature	0° to 100°C For different values contact jbj tech. dept.
Recommended filtration	60 micron max, suction side (not abrasive contaminant) ISO4406 19/16- NAS10

For different functional characteristics, please contact the jbj Techniques Ltd. technical department tel: 01737 767493 or email: info@jbj.co.uk.

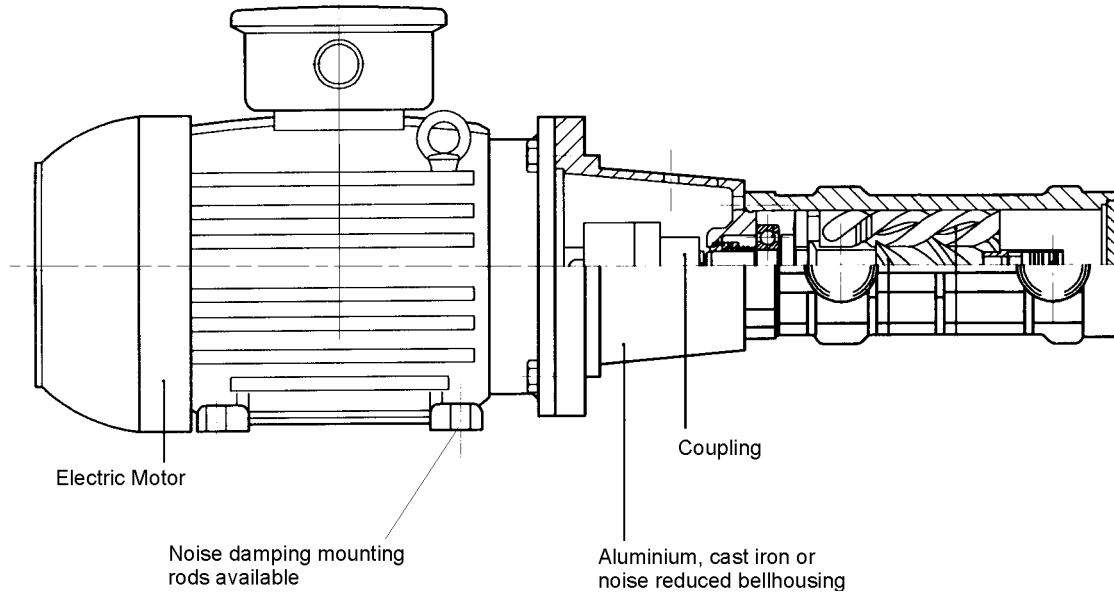


Dimensions in mm (unless otherwise stated)								
Size	Delivery Flow l/min	Pressure (Setting range) Bar	Inlet M	Outlet S	L1	L2	L3	L4
			SAE					
VMP#030A VMP#030B VMP#030C	30 - 300	0 - 7 7 - 16 16 - 40	1½"	1½"	90	50	100	208
VMP#042A VMP#042B VMP#042C	100 - 600	0 - 7 7 - 16 16 - 40	2"	2"	110	70	125	260 285 285
VMP#060A VMP#060B VMP#060C	200 - 1200	0 - 7 7 - 16 16 - 40	3"	3"	142	90	165	352 382 382



For hydraulic oils, lubricating oils. Admissible delivery pressure (standard valve setting) = 8 bar
 Main field of application: Low pressure lubrication systems, auxiliary filtration systems, cooling systems and many others.

Typical section and components



Motor/Pump Information	
Fluid to be Pumped	i.e. mineral oil ISO VG 32
Cold start temperature	
Working temperature	
Other relevant fluid information	i.e. trade name
Pump output required	lpm @ . . . bar
Pump to have built in relief valve	yes/no
Application	i.e. cooling circuit
Environment considerations	i.e. explosion proof
Mounting orientation	i.e. horizontal
Installation standard	i.e. ANSI, NEMA, DIN, API
Voltage, poles, Hz.	when tested, when installed
Special motor requirements	i.e. drip proof
Delivery requirements	
Certification	
We can offer accessories such as SAE flanges, tripods, foot brackets, noise damping equipment, line relief valves	
We can complete your system with air/oil coolers, shell/tube coolers, plate coolers both gasket and brazed, level switches and much more. Please contact the jbj Techniques Ltd. technical department tel: 01737 767493 or email: info@jbj.co.uk for further details.	

jbj Techniques Limited can supply any screw pumps complete with motors etc.
 For full details, please contact the jbj Techniques Ltd. technical department tel: 01737 767493 or email: info@jbj.co.uk.



Gear Pumps/Motors



Mini Power Packs



Screw Pumps



LSHT Motors/Geared Motors



Coolers



BD Clutches & Gearboxes



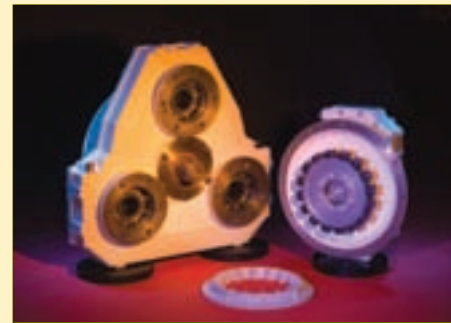
BDS Clutches



Planetary Gearboxes



Marine Gearboxes



Splitter Gearboxes



Hydraulic Adaptors



Torsional Couplings



Pressure Intensifiers



Bellhousings



Torsionally Flexible Couplings



Torsionally Rigid Couplings



FD20 Data Logging Device



quality products for mechanical & fluid power

www.jbj.co.uk/productlist.html



Torque Limiting Couplings



Dampers



Tanks/Accessories



ATEX Approved



Flanges



Engine Adaptor Kits



Flow Dividers